

# INSTALLATION GUIDE



60Hz / R-454B

**GEOSMART**  
ENERGY

IGV5-0006S

General Installation Information.....	2
Refrigeration Detection and Mitigation .....	4
Serial Plate.....	7
Hanger Bracket Locations.....	13
Water Quality .....	14
Hot Water Generator Connections .....	15
Electrical Connections.....	17
Dimensional Data.....	18
Physical Data.....	23
Blower Performance.....	25
Unit Startup.....	29
Refrigerant Removal and Evacuation .....	30
Charging Procedures.....	30
Refrigerant Recovery.....	31
Refrigeration Cycle Analysis.....	32
Revision Guide .....	33

**⚠ WARNING**

**WARNING: Before performing service or maintenance operations on the system, turn off main power switches to the unit. Electrical shock could cause serious personal injury.**

**WARNING: All products are designed, tested, and manufactured to comply with the latest publicly released and available edition of UL 60335-2-40 for electrical safety certification. All field electrical connections must follow the National Electrical Code (NEC) guide standards and / or any local codes that may be applicable for the installation.**

**WARNING: Only factory authorized personnel are approved for startup, check test and commissioning of this unit.**

**INSTALLER: Please take the time to read and understand these instructions prior to any installation. Installer must give a copy of this manual to the owner.**

## For the User

**⚠ WARNING**

**This appliance is not intended for use by persons (including children) with reduced physical, sensory, or mental capabilities, or lack of experience and knowledge, unless they have been given supervision or instruction concerning use of the appliance by a person responsible for their safety.**

**Children should be supervised to ensure that they do not play with the appliance.**

**Keep this manual in a safe place in order to provide your service personnel with necessary information.**

## NOTICE

**NOTICE: To avoid equipment damage, do not leave the system filled in a building without heat during cold weather, unless adequate freeze protection levels of antifreeze are used. Heat exchangers do not fully drain and will freeze unless protected, causing permanent damage.**

### Definition of Warnings and Symbols

<b>⚠ DANGER</b>	Indicates a situation that results in death or serious injury.
<b>⚠ WARNING</b>	Indicates a situation that could result in death or serious injury.
<b>⚠ CAUTION</b>	Indicates a situation that could result in minor or moderate injury.
<b>NOTICE</b>	Indicates a situation that could result in equipment or property damage.



All Premium G Series models are safety listed under UL 60335-2-40 through ETL, and performance listed with AHRI in accordance with ASHRAE/ANSI/AHRI/ISO Standard 13256-1.

## General Installation Information

**NOTICE: Do not store or install units in corrosive environments or in locations subject to temperature or humidity extremes. Corrosive conditions and high temperature or humidity can significantly reduce performance, reliability, and service life.**

**NOTICE: A minimum of 24 in. clearance should be allowed for access to front access panel.**

**NOTICE: To avoid equipment damage, DO NOT use these units as a source of heating or cooling during the construction process. The mechanical components and filters can quickly become clogged with construction dirt and debris, which may cause system damage and void product warranty.**

### For the Installer

If you are NOT sure how to install or operate the unit, contact your dealer.

Installing and servicing air conditioning and heating equipment can be hazardous due to system pressure and electrical components. Only trained and qualified service personnel should install, repair or service heating and air conditioning equipment. When working on heating and air conditioning equipment, observe precautions in the literature, tags and labels attached to the unit and other safety precautions that may apply.

This manual contains specific information about the required qualification of the working personnel for maintenance, service and repair operations. Every working procedure that affects safety means shall only be carried out by competent persons.

Examples for such working procedures are:

- breaking into the refrigerating circuit;
- opening of sealed components or ventilated enclosures.

Follow all safety codes. Wear safety glasses and work gloves. Use quenching cloth for brazing operations. Have fire extinguisher available for all brazing operations. Follow all procedures to remain in compliance with national gas regulations.

Prior to beginning work on systems containing FLAMMABLE REFRIGERANTS, safety checks are necessary to ensure that the risk of ignition is minimized. Work shall be undertaken under a controlled procedure so as to minimise the risk of a flammable gas or vapor being present while the work is being performed. All maintenance staff and others working in the local area shall be instructed on the nature of work being carried out. Work in confined spaces shall be avoided.

The area shall be checked with an appropriate refrigerant detector prior to and during work, to ensure the technician is aware of potentially toxic or flammable atmospheres. Ensure that the leak detection equipment being used is suitable for use with all applicable refrigerants, i.e. non-sparking, adequately sealed or intrinsically safe.

If any hot work is to be conducted on the refrigerating equipment or any associated parts, appropriate fire extinguishing equipment shall be available to hand. Have a dry powder or CO2 fire extinguisher adjacent to the charging area.

No person carrying out work in relation to a REFRIGERATING SYSTEM which involves exposing any pipe work shall use any sources of ignition in such a manner that it may lead to the risk of fire or explosion. All possible ignition sources, including cigarette smoking, should be kept sufficiently far away from the site of installation, repairing, removing and disposal, during which refrigerant can possibly be released to the surrounding space. Prior to work taking place, the area around the equipment is to be surveyed to make sure that there are no flammable hazards or ignition risks. "No Smoking" signs shall be displayed.

Where electrical components are being changed, they shall be fit for the purpose and to the correct specification. At all times the manufacturer's maintenance and service guidelines shall be followed. If in doubt, consult the manufacturer's technical department for assistance.

The following checks shall be applied to installations using FLAMMABLE REFRIGERANTS:

- the actual REFRIGERANT CHARGE is in accordance with the room size within which the refrigerant containing parts are installed;
- the ventilation machinery and outlets are operating adequately and are not obstructed;
- if an indirect refrigerating circuit is being used, the secondary circuit shall be checked for the presence of refrigerant;
- marking to the equipment continues to be visible and legible. Markings and signs that are illegible shall be corrected;
- refrigerating pipe or components are installed in a position where they are unlikely to be exposed to any substance which may corrode refrigerant containing components, unless the components are constructed of materials which are inherently resistant to being corroded or are suitably protected against being so corroded.

### Instructions for Equipment Using R-454B Refrigerant

#### WARNING

- **Do NOT pierce or burn**
- **Do NOT use means to accelerate the defrosting process or to clean the equipment, other than those recommended by the manufacturer**
- **Be aware that refrigerants may not contain an odor**

#### WARNING

- **The Appliance should be stored so as to prevent mechanical damage and in a room without continuously operating ignition sources (example: open flames, an operating gas appliance or an operating electric heater)**

## General Installation Information

### WARNING

**Ventilated Area:** ensure that the area is in the open or that it is adequately ventilated before breaking into the system of conducting any hot work. A degree of ventilation should continue during the period that the work is carried out. The ventilation should safely disperse any released refrigerant and preferably expel it. Keep ventilation area clear of obstructions!

### WARNING

Do NOT use potential sources of ignition in searching for or detection of refrigerant leaks. A halide torch (or any other detector using a naked flame) shall not be used.

The following leak detection methods are deemed acceptable for all refrigerant systems. Electronic leak detectors may be used to detect refrigerant leaks but, in the case of FLAMMABLE REFRIGERANTS, the sensitivity may not be adequate, or may need re-calibration. (Detection equipment shall be calibrated in a refrigerant-free area.) Ensure that the detector is not a potential source of ignition and is suitable for the refrigerant used. Leak detection equipment shall be set at a percentage of the LFL. of the refrigerant and shall be calibrated to the refrigerant employed, and the appropriate percentage of gas (25 % maximum) is confirmed. Leak detection fluids are also suitable for use with most refrigerants but the use of detergents containing chlorine shall be avoided as the chlorine may react with the refrigerant and corrode the copper pipe-work. NOTE Examples of leak detection fluids are bubble method, fluorescent method agents. If a leak is suspected, all naked flames shall be removed/extinguished. If a leakage of refrigerant is found which requires brazing, all of the refrigerant shall be recovered from the system, or isolated (by means of shut off valves) in a part of the system remote from the leak. Removal of refrigerant shall follow the procedure outlined in this manual.

## Installation Site

Maximum altitude for this equipment shall not exceed 3000 m. (9843 ft.) and should not be installed at an altitude greater than 3000 m. For installation only in locations not accessible to the general public.

### WARNING

For appliances using A2L refrigerants connected via an air duct system to one or more rooms, only auxiliary devices approved by the appliance manufacturer or declared suitable with the refrigerant shall be installed in connecting ductwork. The manufacturer shall list in the instructions all approved auxiliary devices by manufacturer and model number for use with the specific appliance, if those devices have a potential to become an ignition source.

## Installation Space Requirements

NOTE: Equipment with refrigerant charge less than 62 oz does not require have a minimum floor area requirement and does not require a refrigerant leak detection sensor. The sensor might be added as a feature.

### WARNING

Equipment containing R-454B refrigerant shall be installed, operated, and stored in a room with floor area larger than the area defined in the “Minimum Floor Area” chart based on the total refrigerant charge in the system. This requirement applies to indoor equipment with or without a factory refrigerant leakage sensor.

### CAUTION

This equipment requires connections to a water supply. See the “Water Quality Guidelines” section of this manual for more information on the quality of water required for this operation. If a potable water source is used for this equipment’s water supply, the source water supply shall be protected against back siphonage by the equipment.

### WARNING

This equipment comes with a factory installed Refrigerant Detection Device which is capable of determining it’s specified end-of-life and replacement instructions. Refrigerant sensors for refrigerant detection systems shall only be replaced with sensors specified by the appliance manufacture.

### WARNING

Take sufficient precautions in case of refrigerant leakage. If refrigerant gas leaks, ventilate the area immediately.  
**POSSIBLE RISKS:** Excessive refrigerant concentrations in a closed room can lead to oxygen deficiency

### WARNING

ALWAYS recover the refrigerant. Do NOT release them directly into the environment. Follow handling instructions carefully in compliance with national regulations.

## General Installation Information: Refrigerant Detection and Mitigation

### WARNING

Check that cabling will not be subject to wear, corrosion, excessive pressure, vibration, sharp edges or any other adverse environmental effects. The check shall also take into account the effects of aging or continual vibration from sources such as compressors or fans.

### Determination of Minimum Floor Area

Determine the total refrigerant charge in the system. In packaged heat pump systems, the factory charge should be the total charge for the system and there should be no reason for adding charge in the field. The equipment serial plate and unit physical data table should serve as reference for the total charge. Heat pumps with a refrigerant charge of 62 oz or greater come with a refrigerant mitigation system factory installed.

The heat pump equipment is ducted and utilizes the blower for leak mitigation. Once the refrigerant leak sensor detects leaked refrigerant, the compressor and electric heat will be deactivated, and the blower will operate in the continuous fan setting. This will occur for a minimum of 5 minutes and an alarm in the control will remain until the sensor no longer detects a leak.

The minimum area where the unit can be installed,  $A_{min}$ , is based on the refrigerant charge and installation height of the unit, shown in the table below. Since this heat pump is ducted and is utilizing the blower for leak mitigation, the ducted/zoned floor area must be greater than the  $TA_{min}$  shown in the table below. If the heat pump is zoned, the dampers must open to allow the heat pump blower to mitigate the refrigerant leak. The continuous blower speed must be set higher than  $Q_{min}$ , shown in the table below. The continuous fan setting is factory set to exceed the minimum airflow required for mitigation.

meter	$H_{alt}$		AF
	meter	ft	
0	0	0	1.00
200	656	2152	1.00
400	1312	4304	1.00
600	1968	6456	1.00
800	2624	8608	1.02
1000	3280	10760	1.05
1200	3937	12912	1.07
1400	4593	15064	1.10
1600	5249	17216	1.12
1800	5905	19368	1.15
2000	6561	21520	1.18
2200	7217	23672	1.21
2400	7874	25824	1.25
2600	8530	27976	1.28
2800	9186	30128	1.32
3000	9842	32280	1.36
3200			Not Recommended

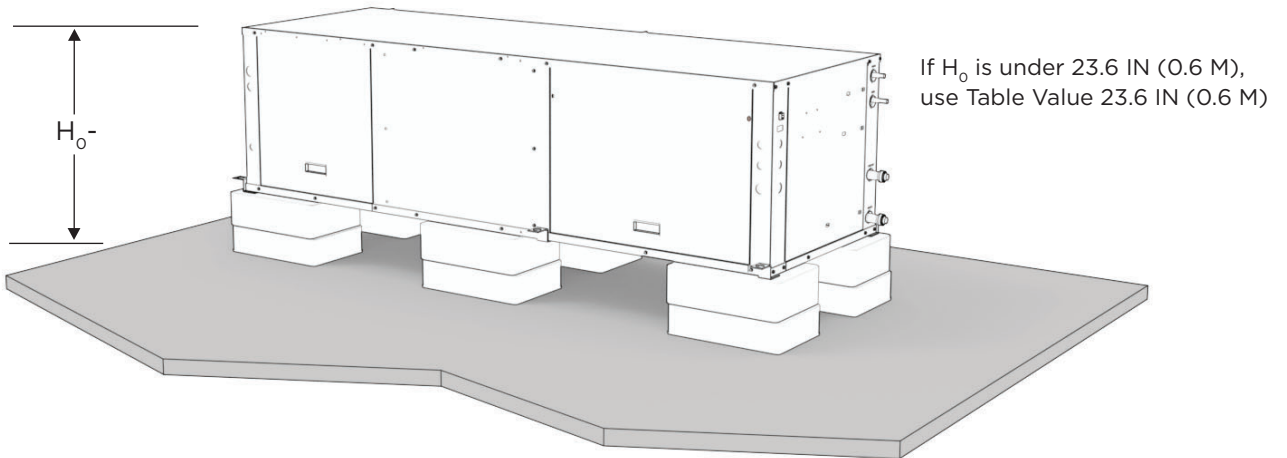
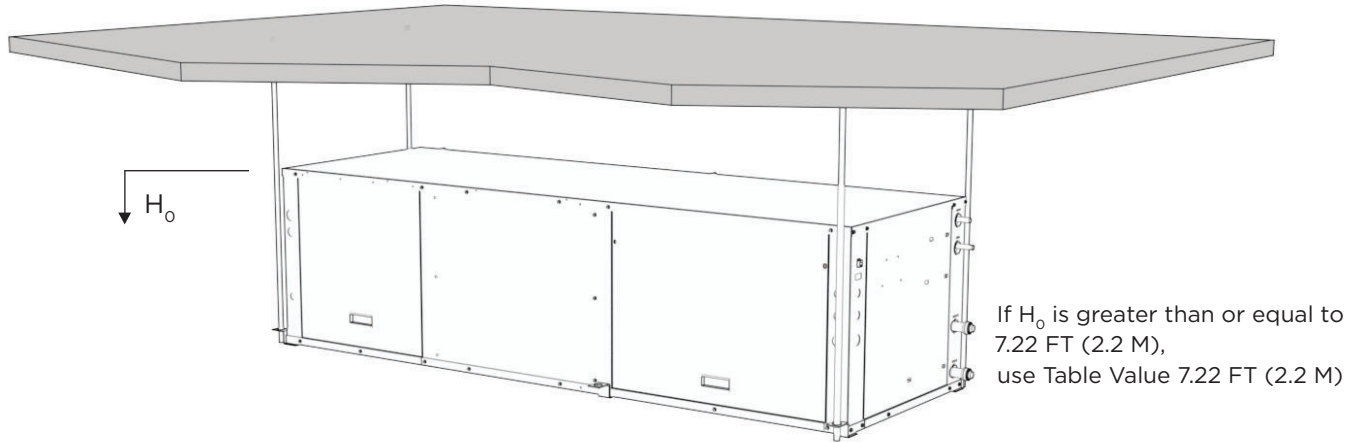
When the location of the installation is above 1969 ft (600m), the Altitude Adjustment Factor in the table is needed to calculate the minimum room size”.

Example: For instance, if you are installing a O60 vertical unit. If your elevation is 5249 ft (1600m) your area factor would be 1.12. If your charge weight is 76oz (2.154kg) at a floor height installation. The  $A_{min}$  would be 127.0 square Ft or (11.9 square meters). Take 113.4 square Ft X 1.12 for a new  $A_{min}$  of 127.0 square feet (11.9 square meters).

## General Installation Information: Refrigerant Detection and Mitigation


Model	Configuration	H <sub>o</sub>			Charge		A <sub>min</sub>		Q <sub>min</sub>		TA <sub>min</sub>	
		in	ft	m	lbm	oz	ft2	m2	cfm	m3/h	ft2	m2
<b>060 Single Stage</b>	Vertical	106.6	8.9	2.7	4.6	74	56.4	5.2	125.1	212.6	69.4	6.4
<b>060 Two Stage</b>	Vertical	106.6	8.9	2.7	4.8	76	57.9	5.4	128.5	218.4	71.2	6.6
<b>072 Single Stage</b>	Vertical	106.6	8.9	2.7	6.3	100	76.1	7.1	169	287.3	93.7	8.7
<b>072 Two Stage</b>	Vertical	106.6	8.9	2.7	6.5	104	79.2	7.4	175.8	298.8	97.5	9.1
<b>048 Single Stage</b>	Horizontal Floor	23.6	2	0.6	4.3	68	373	34.6	114.9	195.4	63.7	5.9
	Horizontal Floor +2 Ft	47.6	4	1.2	4.3	68	115.9	10.8	114.9	195.4	63.7	5.9
	Horizontal Floor +4 ft	71.6	6	1.8	4.3	68	77.1	7.2	114.9	195.4	63.7	5.9
	Horizontal Suspended	86.6	7.2	2.2	4.3	68	63.7	5.9	114.9	195.4	63.7	5.9
<b>048 Two Stage</b>	Horizontal Floor	23.6	2	0.6	4.5	72	418.1	38.8	121.7	206.9	67.5	6.3
	Horizontal Floor +2 Ft	47.6	4	1.2	4.5	72	122.7	11.4	121.7	206.9	67.5	6.3
	Horizontal Floor +4 ft	71.6	6	1.8	4.5	72	81.6	7.6	121.7	206.9	67.5	6.3
	Horizontal Suspended	86.6	7.2	2.2	4.5	72	67.5	6.3	121.7	206.9	67.5	6.3
<b>060 Single Stage</b>	Horizontal Floor	23.6	2	0.6	4.6	74	441.7	41	125.1	212.6	69.4	6.4
	Horizontal Floor +2 Ft	47.6	4	1.2	4.6	74	126.1	11.7	125.1	212.6	69.4	6.4
	Horizontal Floor +4 ft	71.6	6	1.8	4.6	74	83.9	7.8	125.1	212.6	69.4	6.4
	Horizontal Suspended	86.6	7.2	2.2	4.6	74	69.4	6.4	125.1	212.6	69.4	6.4
<b>060 Two Stage</b>	Horizontal Floor	23.6	2	0.6	5.3	84	569.1	52.9	142	241.4	78.7	7.3
	Horizontal Floor +2 Ft	47.6	4	1.2	5.3	84	143.2	13.3	142	241.4	78.7	7.3
	Horizontal Floor +4 ft	71.6	6	1.8	5.3	84	95.2	8.8	142	241.4	78.7	7.3
	Horizontal Suspended	86.6	7.2	2.2	5.3	84	78.7	7.3	142	241.4	78.7	7.3
<b>072 Single and Two Stage</b>	Horizontal Floor	23.6	2	0.6	6.5	104	872.4	81	175.8	298.8	97.5	9.1
	Horizontal Floor +2 Ft	47.6	4	1.2	6.5	104	214.7	19.9	175.8	298.8	97.5	9.1
	Horizontal Floor +4 ft	71.6	6	1.8	6.5	104	117.9	11	175.8	298.8	97.5	9.1
	Horizontal Suspended	86.6	7.2	2.2	6.5	104	97.5	9.1	175.8	298.8	97.5	9.1

## General Installation Information: Refrigerant Detection and Mitigation



If  $H_0$  is between these values, use the table to calculate  $A_{min}$ .

# Serial Plate

Unit Nomenclature and Serial Number	<b>MODEL:</b> _____ <b>JOB #:</b> _____	<b>S/N:</b> 999999999 Manufactured Fort Wayne, Indiana USA			
Unit Voltage	<b>Electrical Service</b>				
	VAC/PHASE	Hz	FLA	MIN CIRCUIT AMPS	MIN/MAX VAC
Fuse/Breaker Size	<b>Short-Circuit Current</b>			<b>Fuse Circuit Breaker Size</b>	
	kA Symmetrical	0	Max Fuse Time Delay	US Max HACR	Canada Max
	V Maximum	0			
Component Electrical Information	<b>Component</b>				
	Qty	LRA	RLA/MRC	FLA	VAC
	PH	HP	KW		
Unit Restrictions	<b>Other Data</b>				
	Min. distance to combustible surface (in/cm)				/
	Max. outlet air temperature (F/C)				/
	Max. external static pressure (in water/Pa)				/
	Max. inlet water temperature (F/C)				/
	Max. inlet water pressure (in water/Pa)				/
Auxillary Heater Kit Electrical Installation	CK BOX	Heater Model	Supply Circuit	KW	Min CIR AMP
	Max Fuse	Max BRKR			
	Mark heater installed with "X" in check box. For actual heater rating, see marking inside of unit.		Cocher "X" pour indiquer le modele installe pour les caracteristiques nominales des unites de chauffe voir le marquage a l'interieur.		
Unit Comments	<b>Comments</b>				
Installation Requirements	Warning: Floor area for storage or operation must meet the minimum requirements shown. Minimum room area (operating or storage)      0 ft <sup>2</sup> 0 m <sup>2</sup> Minimum installation height                              0 ft      0 m Note: For Minimum room areas at higher installation heights, see installation and operation manual. "For Installation Only in Locations Not Accessible to the General Public"				
Refrigerant Type and Charge Amount	MRC=Maximum Rated Current (only applicable for variable speed compressors/drives) Maximum allowable refrigerant pressure = PSIG/Mpa:      /				
	Refrigerant Type	Refrigerant Charge/Circuit	Design Pressure		
	R-454B	OZ kg	psi	Mpa	
			High:		
			Low:		



## General Installation Information

### Safety Considerations

**WARNING: Before performing service or maintenance operations on a system, turn off main power switches to the indoor unit. If applicable, turn off the accessory heater power switch. Electrical shock could cause personal injury.**

Installing and servicing heating and air conditioning equipment can be hazardous due to system pressure and electrical components. Only trained and qualified service personnel should install, repair or service heating and air conditioning equipment. Untrained personnel can perform the basic maintenance functions of cleaning coils and cleaning and replacing filters. All other operations should be performed by trained service personnel. When working on heating and air conditioning equipment, observe precautions in the literature, tags and labels attached to the unit and other safety precautions that may apply.

Follow all safety codes. Wear safety glasses and work gloves. Use a quenching cloth for brazing operations and have a fire extinguisher available.

### Moving and Storage

Move units in the normal "up" orientation. Horizontal units may be moved and stored per the information on the packaging. Do not stack more than three units in total height. Vertical units may be stored one upon another to a maximum height of two units. Do not attempt to move units while stacked. When the equipment is received, all items should be carefully checked against the bill of lading to be sure all crates and cartons have been received. Examine units for shipping damage, removing the units from the packaging if necessary. Units in question should also be internally inspected. If any damage is noted, the carrier should make the proper notation on the delivery receipt, acknowledging the damage.

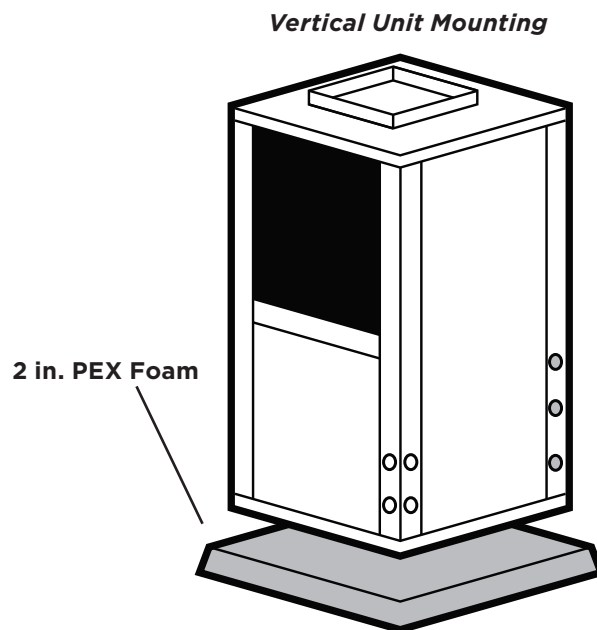
### Unit Location

Locate the unit in an indoor area that allows for easy removal of the filter and access panels. Location should have enough space for service personnel to perform maintenance or repair. Provide sufficient room to make water, electrical and duct connection(s). If the unit is located in a confined space, such as a closet, provisions must be made for return air to freely enter the space by means of a louvered door, etc. Any access panel screws that would be difficult to remove after the unit is installed should be removed prior to setting the unit. On horizontal units, allow adequate room below the unit for a condensate drain trap and do not locate the unit above supply piping. **Care should be taken when units are located in unconditioned spaces to prevent damage from frozen water lines and excessive heat that could damage electrical components.**

### Installing Vertical Units

Prior to setting the unit in place, remove and discard the compressor hold down shipping bolt located at the front of the compressor mounting bracket.

Vertical units are available in left or right air return configurations. Top flow vertical units should be mounted level on a vibration absorbing pad slightly larger than the base to provide isolation between the unit and the floor. It is not necessary to anchor the unit to the floor (see figure below).





## General Installation Information

### Typical Unit Installation

#### Unit Location

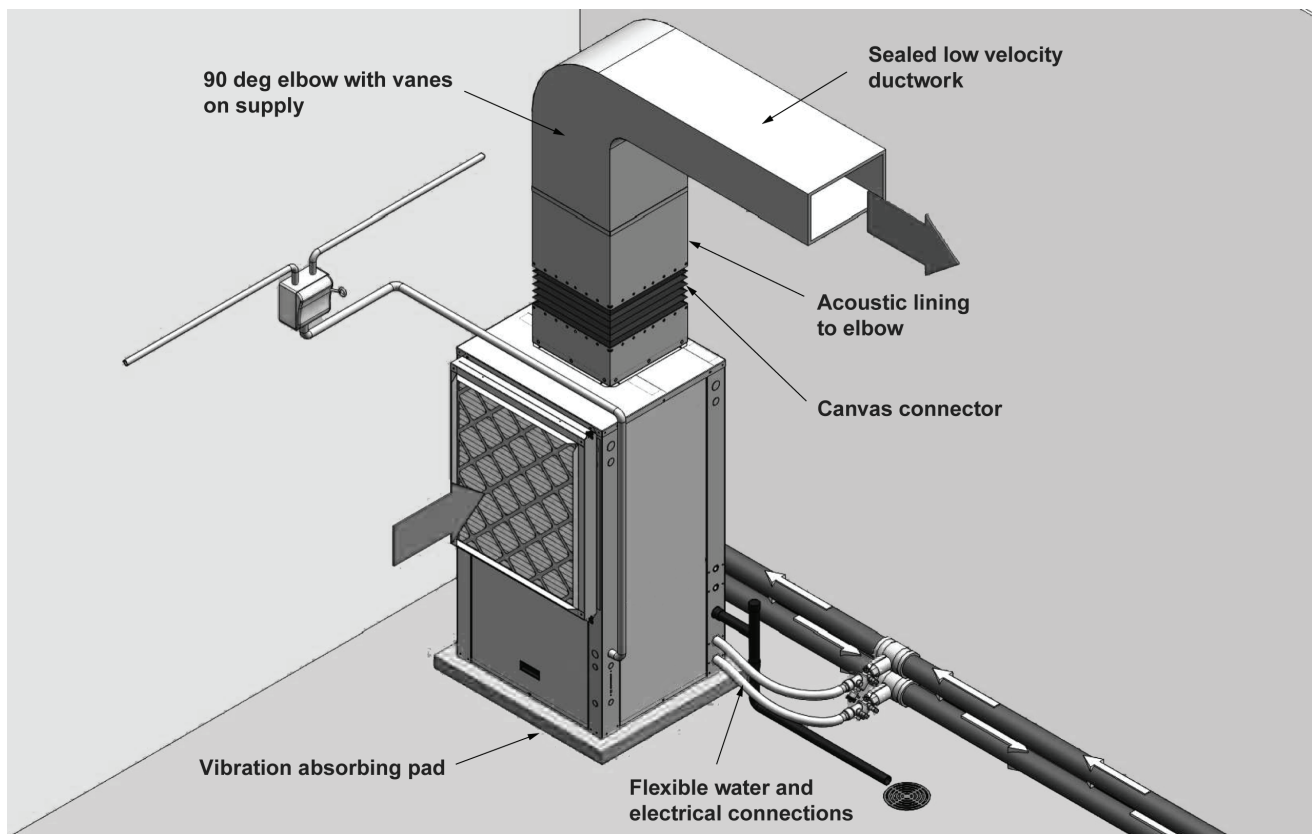
Locate the unit in an indoor area that allows for easy removal of the filter and access panels. Location should have enough space for service personnel to perform maintenance or repair. Provide sufficient room to make water, electrical and duct connection(s). If the unit is located in a confined space, such as a closet, provisions must be made for return air to freely enter the space by means of a louvered door, etc. Any access panel screws that would be difficult to remove after the unit is installed should be removed prior to setting the unit. On horizontal units, allow adequate room below the unit for a condensate drain trap and do not locate the unit above supply piping. Care should be taken when units are located in unconditioned spaces to prevent damage from frozen water lines and excessive heat that could damage electrical components.

#### Water Piping

Piping is usually design as 'reverse return' to equalize flow paths through each unit. A short flexible pressure rated hose is used to make connection to the fixed building piping

system. This hose is typically stainless steel braid and includes a swivel fitting on one end for easy removal and is flexible to help isolate the unit for quieter operation. Isolation valves for servicing, y-strainers for filtering and memory-stop flow valve or a balancing valve can be provided for consistent water flow through the unit.

All unit source water connections are fittings that accept a male pipe thread (MPT). Insert the connectors by hand, then tighten the fitting with a wrench to provide a leakproof joint. The open and closed loop piping system should include pressure/temperature ports for serviceability. The proper water flow must be provided to each unit whenever the unit operates. To assure proper flow, use pressure/temperature ports to determine the flow rate. These ports should be located at the supply and return water connections on the unit. The proper flow rate cannot be accurately set without measuring the water pressure drop through the refrigerant-to-water heat exchanger. Never use flexible hoses smaller than the inside diameter of the water connection at the unit. Limit hose length to 10 feet per connection. Check carefully for water leaks.



## Installation Information cont.

### Installing Horizontal Units

Remove and discard the compressor hold down shipping bolt located at the front of the compressor mounting bracket prior to setting the unit in place. Horizontal units are available with side or end discharge.

**NOTE:** Horizontal units are normally suspended from a ceiling by four (009-060 models) or five (070-072 models) 3/8 in. diameter threaded rods. The rods are usually attached to the unit by hanger bracket kits furnished with each unit.

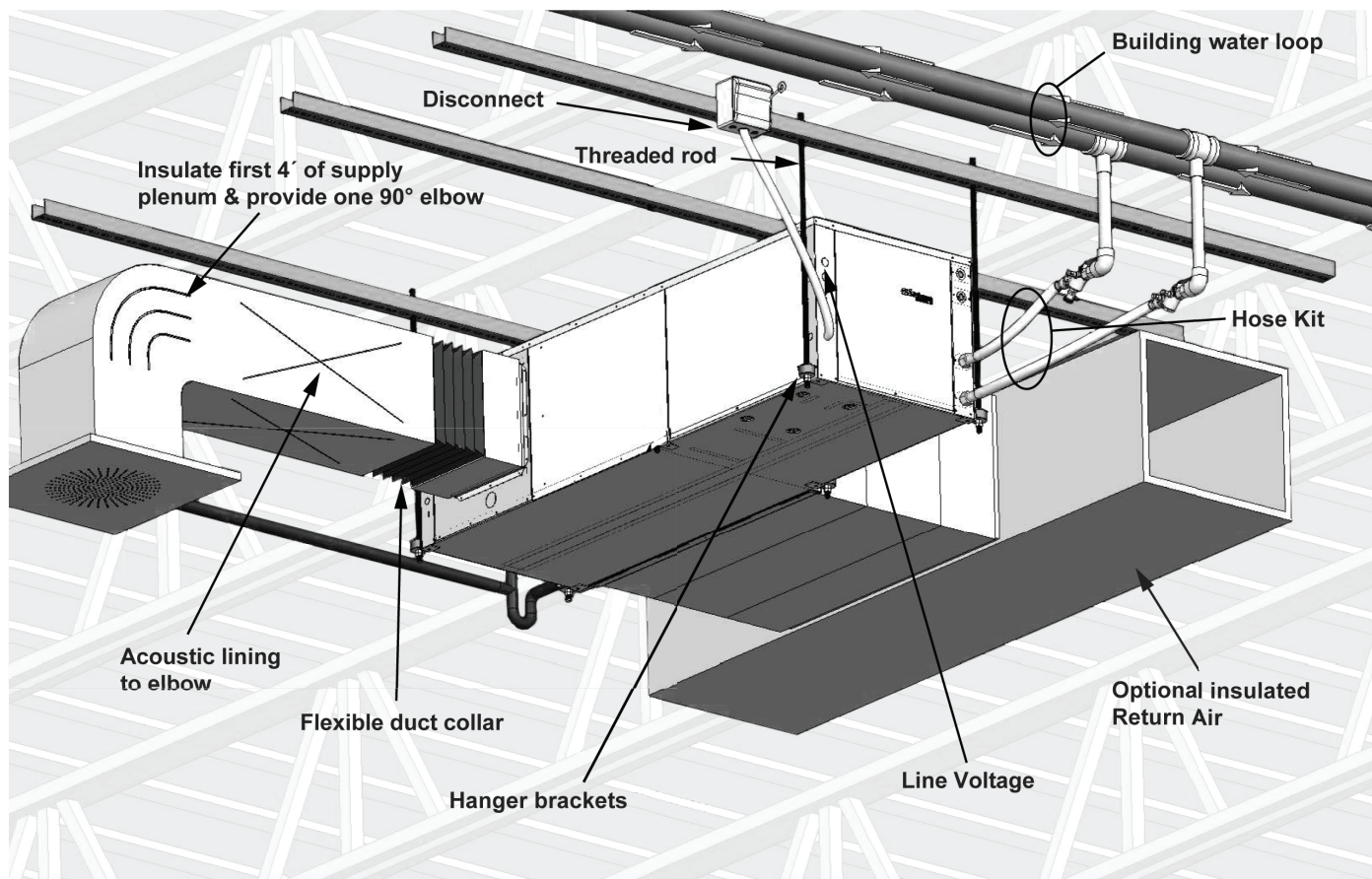
Lay out the threaded rods per the Hanger Bracket Dimensions table. Assemble the hangers to the unit as shown. Securely tighten the brackets to the unit using the weld nuts located on the underside of the bottom panel. When attaching the hanger rods to the bracket, a double nut is required since vibration could loosen a single nut. To allow filter access, install hanger brackets as illustrated

in the Hanger Bracket Locations section. The unit should be pitched approximately 1/4 in. towards the drain in both directions to facilitate the removal of condensate. Use only the bolts provided in the kit to attach hanger brackets. The use of longer bolts could damage internal parts.

Some applications require the installation of horizontal units on an attic floor. In this case, the unit should be set in a full size secondary drain pan on top of a vibration absorbing pad. The secondary drain pan prevents possible condensate overflow or water leakage damage to the ceiling. The secondary drain pan is usually placed on a plywood base isolated from the ceiling joists by additional layers of vibration absorbing material.



**CAUTION: Do not use rods smaller than 3/8 in. diameter since they may not be strong enough to support the unit. The rods must be securely anchored to the ceiling.**



## Installation Information cont.

### Acoustical Considerations and Equipment Sound Performance

#### Sound Performance

The unit is third party sound rated in accordance with ARI 260. Please consult manufacturer Sound Performance Data Catalog for details on the AHRI standard and sound performance data.

#### Recommendations for Noise Reduction

##### Horizontal Unit Location

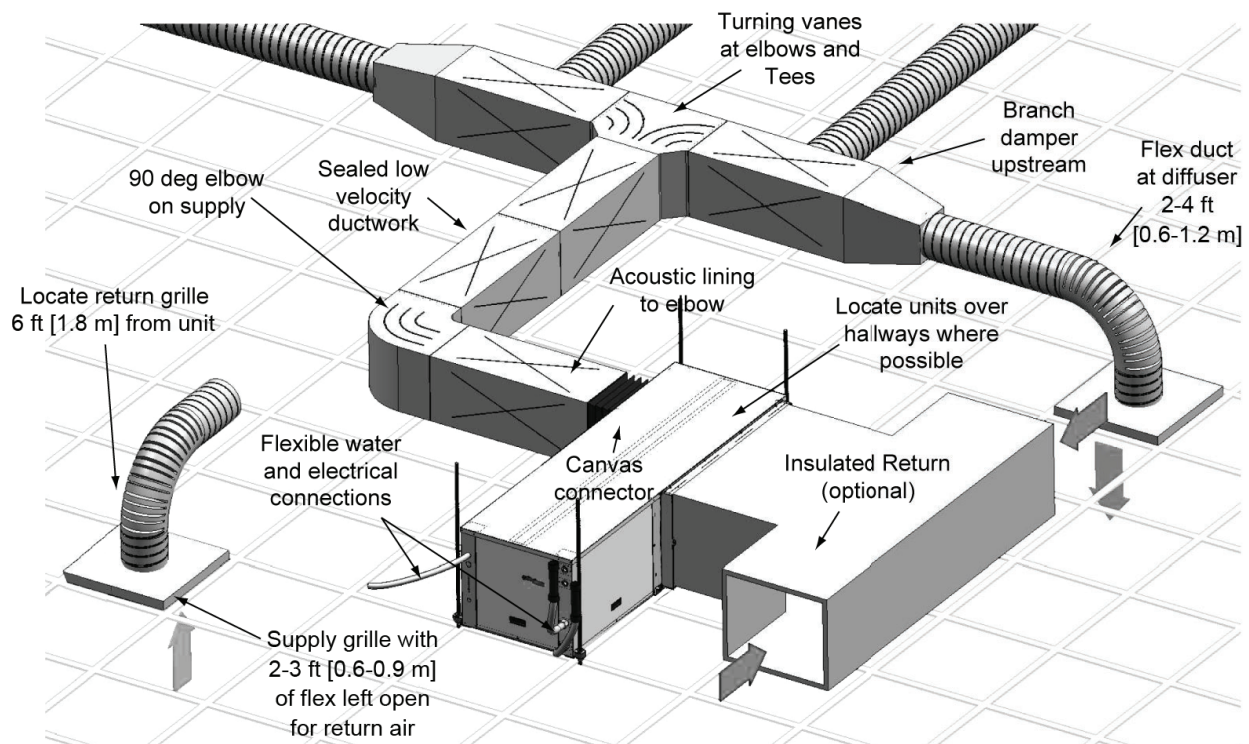
- Specify equipment with quietest sound power ratings
- Do not locate units above areas with a required NC 40 or less
- Space WSHP at least 10 ft (3m) apart to avoid noise summing of multiple units in a space.
- Maximize the height of the unit above the ceiling (horizontal).
- Suspend unit with isolation grommets that are appropriately rated to reduce vibrations (horizontal).

##### Vertical Unit Location

- Specify equipment with quietest sound power ratings
- Space WSHP at least 10 ft (3m) apart to avoid noise summing of multiple units in a space.
- Acoustic ceiling coatings can greatly reduce noise levels in mechanical rooms.
- Mount unit on a sound absorbing pad, extruded polystyrene, rubber or cork pad.

#### Ductwork

- Ensure return air grilles will not allow line of site noise to transfer to adjacent space. Use a sound barrier or some other material to isolate the grille from the unit. A supply grille, boot and short piece of flex duct pointed away from the unit can greatly attenuate equipment noise.
- Use a canvas isolation duct connector at the supply and return duct connection of the unit.
- Internally line the discharge and return duct within the first 4-8 feet of unit with acoustic insulation. Install an internally lined 'L' shaped return duct elbow at return grille. Face the elbow away from adjacent units.
- Always install at least one 90° elbow in the discharge duct to eliminate line of sight noise transmission of the blower.
- Use turning vanes at all elbows and tees to reduce turbulence.
- Limit supply duct velocities to less than 1,000 fpm
- Design and install ductwork as stiff as possible
- Allow 3 duct diameters both up and down stream of the unit before any fittings or transitions are installed.
- Use duct sealant on all duct joints.
- Install a short (2-4') of flex duct on all branch ducts just prior to discharge boot or diffuser to reduce vibration and duct sound prior to delivery in the room.
- Locate the branch duct balancing damper as far away from the diffuser as possible.
- In ceiling plenum systems, install an internally lined 'L' shaped return duct elbow at unit. Face the elbow away from adjacent units (horizontal).

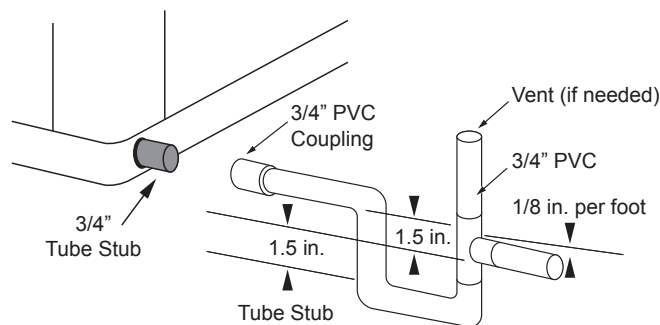


## Installation Information cont.

### Condensate Drain

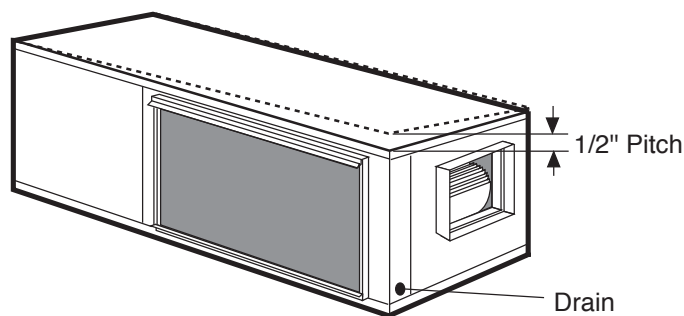
On vertical units, the internal condensate drain assembly consists of a drain tube which is connected to the drain pan, a 3/4 in. PVC female adapter and a flexible connecting hose. The female adapter may exit either the front or the side of the cabinet. The adapter should be glued to the field-installed PVC condensate piping. On vertical units, a condensate hose is inside all cabinets as a trapping loop; therefore, an external trap is not necessary.

#### Horizontal Drain Connection (Composite Drain Pan)



On horizontal and bottom flow units, a PVC stub or stainless steel tube is provided for condensate drain piping connection. An external trap is required (see below). If a vent is necessary, an open stand pipe may be applied to a tee in the field-installed condensate piping.

#### Unit Pitch for Drain



### Duct System

An air outlet collar is provided on vertical top flow units and all horizontal units to facilitate a duct connection. A flexible connector is recommended for discharge and return air duct connections on metal duct systems. Uninsulated duct should be insulated with a minimum of 1-inch duct insulation. Application of the unit to uninsulated ductwork in an unconditioned space is not recommended as the unit's performance will be adversely affected.

If the unit is connected to existing ductwork, check the duct system to ensure that it has the capacity to accommodate the air required for the unit application. If the duct is too small, as in the replacement of heating only systems, larger ductwork should be installed. All existing ductwork should be checked for leaks and repaired if necessary.

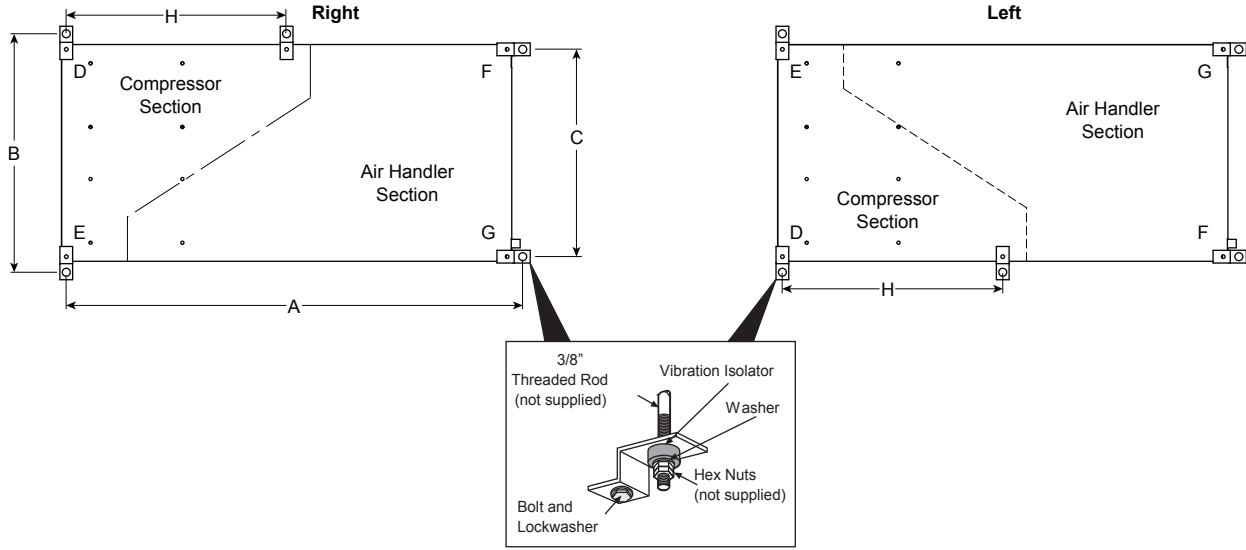
The duct system should be sized to handle the design airflow quietly and efficiently. To maximize sound attenuation of the unit blower, the supply and return plenums should include an internal duct liner of fiberglass or constructed of ductboard for the first few feet. On systems employing a sheet metal duct system, canvas connectors should be used between the unit and the ductwork. If air noise or excessive airflow is a problem, the blower speed can be changed.

### Water Piping

The proper water flow must be provided to each unit whenever the unit operates. To assure proper flow, use pressure/temperature ports to determine the flow rate. These ports should be located at the supply and return water connections on the unit. The proper flow rate cannot be accurately set without measuring the water pressure drop through the refrigerant-to-water heat exchanger.

All source water connections on commercial units are fittings that accept a male pipe thread (MPT). Insert the connectors by hand, then tighten the fitting with a wrench to provide a leakproof joint. When connecting to an open loop (groundwater) system, thread any copper MPT fitting into the connector and tighten in the same manner as described above.

# Hanger Bracket Locations



**NOTE:** Model sizes 070-072 will be shipped with six (6) hanger brackets. Only five (5) hanger brackets will be used on the unit. See the above illustration for the fifth hanger bracket location. All other models will use four (4) hanger brackets.

## Hanger Bracket Locations

Model			Hanger Kit Part Number	Unit Hanger Dimensions			
				A	B	C	D
Single Speed	009-012	in.	99S500A04	35.7	25.1	21.4	n/a
		cm.		90.7	63.8	54.4	n/a
	015-018	in.	99S500A04	42.8	25.1	21.4	n/a
		cm.		108.7	63.8	54.4	n/a
	024-030	in.	99S500A04	45.8	25.1	21.4	n/a
		cm.		116.3	63.8	54.4	n/a
	036	in.	99S500A04	48.8	28.1	24.4	n/a
		cm.		124.0	71.4	62.0	n/a
	042-048	in.	99S500A04	53.8	28.1	24.4	n/a
		cm.		136.7	71.4	62.0	n/a
	060	in.	99S500A04	61.8	28.1	24.4	n/a
		cm.		157.0	71.4	62.0	n/a
072	in.	99S500A03	68.8	28.1	24.4	34.0	
	cm.		174.8	71.4	62.0	74.4	
Dual Capacity	018	in.	99S500A04	42.8	25.1	21.4	n/a
		cm.		108.7	63.8	54.4	n/a
	024-030	in.	99S500A04	45.8	25.1	21.4	n/a
		cm.		116.3	63.8	54.4	n/a
	036	in.	99S500A03	48.8	28.1	24.4	n/a
		cm.		124.0	71.4	62.0	n/a
	042-048	in.	99S500A04	53.8	28.1	24.4	n/a
		cm.		136.7	71.4	62.0	n/a
	060	in.	99S500A04	61.8	28.1	24.4	n/a
		cm.		157.0	71.4	62.0	n/a
	072	in.	99S500A03	68.8	28.1	24.4	34.0
		cm.		174.8	71.4	62.0	74.4

4/15/24

## Weight Distribution Table

Model		Vertical Shipping Weight	Horizontal Shipping Weight	Horizontal Weight Distribution			
				Front		Back	
				D	E	F	G
Single Speed	009	171	176	32	67	32	45
		[78]	[80]	[15]	[30]	[15]	[20]
	012	171	176	32	67	32	45
		[78]	[80]	[15]	[30]	[15]	[20]
	015	210	220	65	40	70	35
		[95]	[100]	[29]	[18]	[32]	[16]
	018	210	220	65	40	70	35
		[95]	[100]	[29]	[18]	[32]	[16]
	024	280	295	75	70	75	20
		[127]	[134]	[34]	[31]	[34]	[13]
	030	285	295	75	70	75	30
		[129]	[134]	[34]	[31]	[34]	[13]
036	300	305	85	80	85	40	
	[136]	[138]	[39]	[36]	[39]	[18]	
042	365	375	115	95	75	60	
	[166]	[170]	[52]	[43]	[34]	[27]	
048	370	380	120	100	80	65	
	[168]	[172]	[54]	[45]	[36]	[29]	
060	410	420	120	110	95	80	
	[186]	[191]	[54]	[50]	[43]	[36]	
072	445	455	135	120	100	85	
	[202]	[206]	[61]	[54]	[45]	[39]	
Dual Capacity	018	210	220	65	40	70	35
		[95]	[100]	[29]	[18]	[32]	[16]
	024	280	295	75	70	75	20
		[127]	[134]	[34]	[31]	[34]	[13]
	030	285	295	75	70	75	30
		[129]	[134]	[34]	[31]	[34]	[13]
	036	300	305	85	80	85	40
		[136]	[138]	[39]	[36]	[39]	[18]
	042	365	375	115	95	75	60
		[166]	[170]	[52]	[43]	[34]	[27]
	048	370	380	120	100	80	65
		[168]	[172]	[54]	[45]	[36]	[29]
060	410	420	120	110	95	80	
	[186]	[191]	[54]	[50]	[43]	[36]	
072	445	455	135	120	100	85	
	[202]	[206]	[61]	[54]	[45]	[39]	

Weights are listed in lbs. [kg].

4/15/24

## Water Quality

Material		Copper	90/10 Cupronickel	316 Stainless Steel
pH	Acidity/Alkalinity	7 - 9	7 - 9	7 - 9
Scaling	Calcium and Magnesium Carbonate	(Total Hardness) less than 350 ppm	(Total Hardness) less than 350 ppm	(Total Hardness) less than 350 ppm
Corrosion	Hydrogen Sulfide	Less than 0.5 ppm (rotten egg smell appears at 0.5 ppm)	10 - 50 ppm	Less than 1 ppm
	Sulfates	Less than 125 ppm	Less than 125 ppm	Less than 200 ppm
	Chlorine	Less than 0.5 ppm	Less than 0.5 ppm	Less than 0.5 ppm
	Chlorides	Less than 20 ppm	Less than 125 ppm	Less than 300 ppm
	Carbon Dioxide	Less than 50 ppm	10 - 50 ppm	10 - 50 ppm
	Ammonia	Less than 2 ppm	Less than 2 ppm	Less than 20 ppm
	Ammonia Chloride	Less than 0.5 ppm	Less than 0.5 ppm	Less than 0.5 ppm
	Ammonia Nitrate	Less than 0.5 ppm	Less than 0.5 ppm	Less than 0.5 ppm
	Ammonia Hydroxide	Less than 0.5 ppm	Less than 0.5 ppm	Less than 0.5 ppm
	Ammonia Sulfate	Less than 0.5 ppm	Less than 0.5 ppm	Less than 0.5 ppm
	Total Dissolved Solids (TDS)	Less than 1000 ppm	1000 - 1500 ppm	1000 - 1500 ppm
	LSI Index	+0.5 to -0.5	+0.5 to -0.5	+0.5 to -0.5
Iron Fouling (Biological Growth)	Iron, FE <sup>2+</sup> (Ferrous) Bacterial Iron Potential	< 0.2 ppm	< 0.2 ppm	< 0.2 ppm
	Iron Oxide	Less than 1 ppm, above this level deposition will occur	Less than 1 ppm, above this level deposition will occur	Less than 1 ppm, above this level deposition will occur
Erosion	Suspended Solids	Less than 10 ppm and filtered for max. of 600 micron size	Less than 10 ppm and filtered for max. of 600 micron size	Less than 10 ppm and filtered for max. of 600 micron size
	Threshold Velocity (Fresh Water)	< 6 ft/sec	< 6 ft/sec	< 6 ft/sec

**NOTES:** Grains = ppm divided by 17  
mg/L is equivalent to ppm

2/22/12

### Water Quality Guidelines

In ground water situations where scaling could be heavy or where biological growth such as iron bacteria will be present, a closed loop system is recommended. The heat exchanger coils in ground water systems may, over a period of time, lose heat exchange capabilities due to a buildup of mineral deposits inside. These can be cleaned, but only by a qualified service mechanic, as special solutions and pumping equipment are required. Hot water generator coils can likewise become scaled and possibly plugged. In areas with extremely hard water, the owner should be informed that the heat exchanger may require occasional flushing. Failure to adhere to the guidelines in the water quality table could result in loss of warranty.

Units with cupronickel heat exchangers are recommended for open loop applications due to the increased resistance to build-up and corrosion, along with reduced wear caused by acid cleaning.

## Hot Water Generator Connections

The heat reclaiming hot water generator coil is of vented double-wall copper construction and is suitable for potable water.

To maximize the benefits of the hot water generator a minimum 50-gallon water heater is recommended. For higher demand applications, use an 80-gallon water heater or two 50-gallon water heaters connected in a series as shown below. Electric water heaters are recommended. Make sure all local electrical and plumbing codes are met for installing a hot water generator. A water softener is recommended with hard water (greater than 10 grains or 170 total hardness).

### Water Tank Preparation

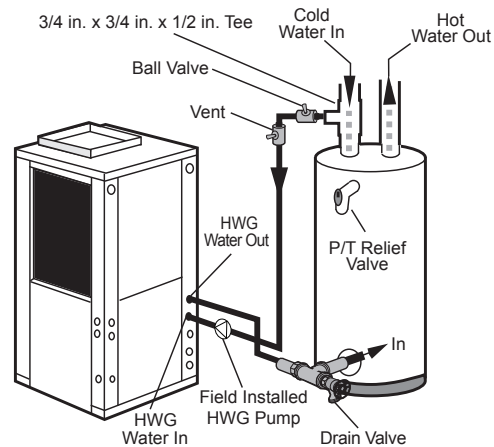
To install a unit with a hot water generator, follow these installation guidelines.

1. Turn off the power to the water heater.
2. Attach a water hose to the water tank drain connection and run the other end of the hose to an open drain or outdoors.
3. Close the cold water inlet valve to the water heater tank.
4. Drain the tank by opening the valve on the bottom of the tank, then open the pressure relief valve or hot water faucet.
5. Flush the tank by opening the cold water inlet valve to the water heater to free the tank of sediments. Close when draining water is clear.
6. Disconnect the garden hose and remove the drain valve from the water heater.
7. Refer to Plumbing Installation and Hot Water Generator Startup.

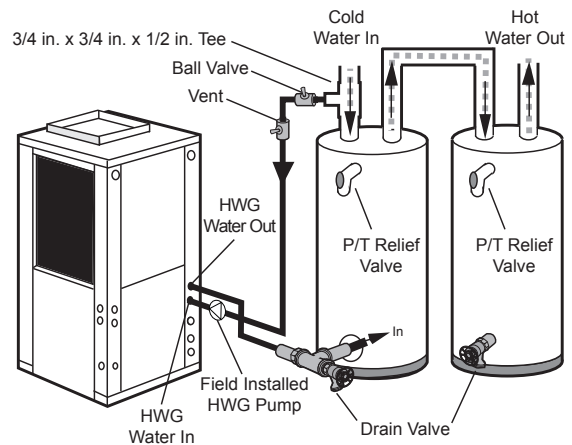
### Plumbing Installation

1. Inspect the dip tube in the water heater cold inlet for a check valve. If a check valve is present it must be removed or damage to the hot water generator circulator will occur.
2. Remove drain valve and fitting.
3. Thread the 3/4-inch NPT x 3-1/2-inch brass nipple into the water heater drain port.
4. Attach the center port of the 3/4-inch FPT tee to the opposite end of the brass nipple.
5. Attach the 1/2-inch copper to 3/4-inch NPT adaptor to the side of the tee closest to the unit.
6. Install the drain valve on the tee opposite the adaptor.
7. Run interconnecting tubing from the tee to HWG water out.

### Typical Hot Water Generator Installation



### Hot Water Generator Installation In Preheat Tank



**NOTE:** This configuration maximizes hot water generator capability.



**CAUTION:** Elements will burn out if energized dry.

8. Cut the cold water "IN" line going to the water heater.
9. Insert the reducing solder tee in line with cold water "IN" line as shown.
10. Run interconnecting copper tubing between the unit DHW water "IN" and the tee (1/2-inch nominal). The recommended maximum distance is 50 feet.
11. To prevent air entrapment in the system, install a vent coupling at the highest point of the interconnecting lines.
12. Insulate all exposed surfaces of both connecting water lines with 3/8-inch wall closed cell insulation.

**NOTE:** All plumbing and piping connections must comply with local plumbing codes.

## Hot Water Generator Connections cont.

### Hot Water Generator Startup

1. Make sure the power is off to the heat pump. Connect the wire from the hot water generator pump to T1 on the contactor.
2. Close the drain valve to the water heater.
3. Open the cold water supply to the tank.
4. Open a hot water faucet in the building to bleed air from the system. Close when full.
5. Open the pressure relief valve to bleed any remaining air from the tank, then close.
6. If so equipped, turn the venting (burping) screw in the center of the pump two (2) turns open (water will drip out), wait until all air is purged from the pump, then tighten the plug. Use vent couplings to bleed air from the lines.
7. Carefully inspect all plumbing for water leaks and correct as required.
8. Before restoring electrical supply to the water heater, adjust the temperature setting on the tank.
  - On tanks with both upper and lower elements, the lower element should be turned down to the lowest setting, approximately 100°F. The upper element should be adjusted to 120°F to 130°F. Depending upon the specific needs of the customer, you may want to adjust the upper element differently.
  - On tanks with a single element, lower the thermostat setting to 120°F.
9. After the thermostat(s) is adjusted, replace the access cover and restore electrical supply to the water heater.
10. Make sure that any valves in the hot water generator circuit are open.
11. Turn on the unit to heating.
12. The HWG pump should be running. When the pump is first started, turn the venting (burping) screw (if equipped) in the center of the pump two (2) turns open until water dribbles out, then replace. Allow the pump to run for at least five minutes to ensure that water has filled the circulator properly.
13. The temperature difference between the water entering and leaving the hot water generator should be 5°F to 15°F. The water flow should be approximately 0.4 gpm per ton of nominal cooling.
14. Allow the unit to heat water for 15 to 20 minutes to be sure operation is normal.



**CAUTION: Never operate the HWG circulating pump while dry. If the unit is placed in operation before the hot water generator piping is connected, be sure that the pump wires are disconnected from the contactor.**



## Electrical Connections

### General

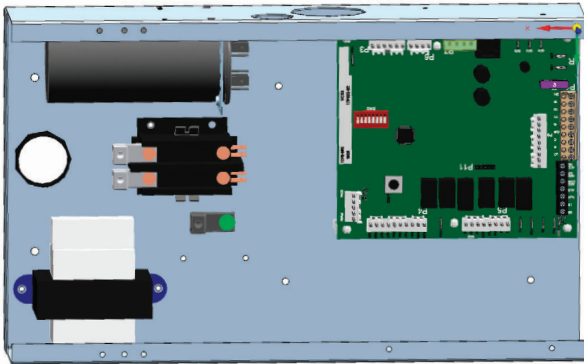
Be sure the available power is the same voltage and phase as that shown on the unit serial plate. Line and low voltage wiring must be done in accordance with local codes or the National Electric Code, whichever is applicable.

### Power Connection

Connect the incoming line voltage wires to L1 and L2 of the contactor for single-phase unit. Consult the Electrical Data tables for correct fuse sizes.

**NOTE:** A disconnection must be incorporated in the fixed wiring in accordance with the wiring rules/NEC.

### Aurora Base Control Box



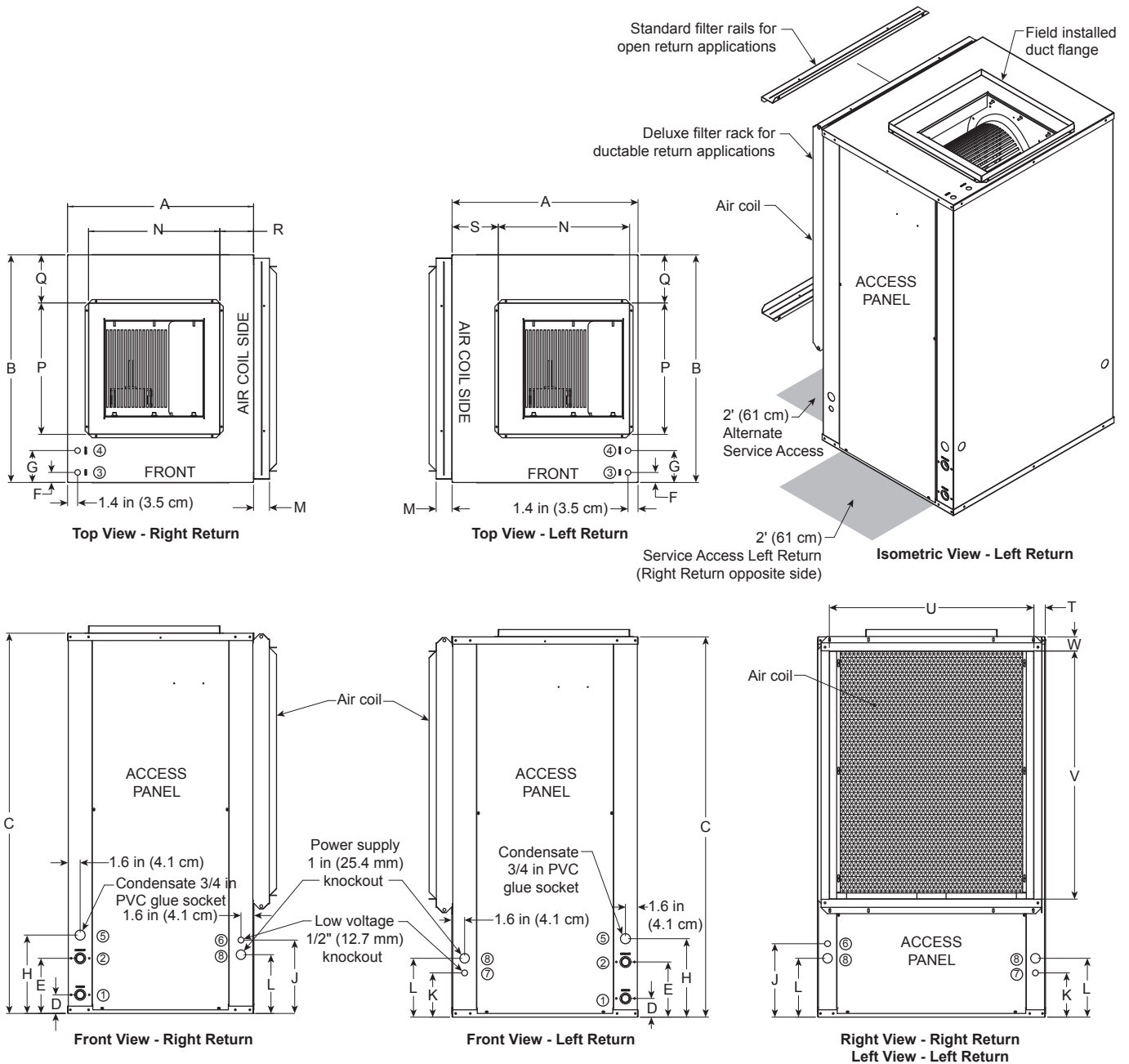
### 208 Volt Operation

All 208/230 units are factory wired for 230 volt operation. For 208 volt operation, the red and blue transformer wires must be switched on terminal strip PS.



**CAUTION:** When installing a unit with a variable speed ECM blower motor in 460/60/3 voltage, a neutral wire is required to allow proper unit operation.

## Dimensional Data - Vertical



## Dimensional Data Vertical cont.

Vertical Models		Overall Cabinet			Water Connections							Electrical Knockouts		
					1	2	3	4	5	Loop Water FPT	Knockout HWG Provisions	6	7	8
		A	B	C	D	E	F	G	H			J	K	L
		Width	Depth	Height*	In	Out	HWG In	HWG Out	Condensate	1/2" cond Low Voltage	1/2" cond Low Voltage	1" cond Power Supply		
009-012	in.	22.5	22.2	30.2	2.6	7.6	N/A	N/A	10.8	1/2"	N/A	9.4	5.4	7.4
	cm.	57.2	56.4	76.7	6.6	19.3	N/A	N/A	27.4	12.7 mm	N/A	23.9	13.7	18.8
015-018	in.	22.5	26.2	40.2	2.6	7.6	1.4	4.4	10.8	3/4"	0.875	10.1	6.1	8.1
	cm.	57.2	66.5	102.1	6.6	19.3	3.6	11.2	27.4	19.1 mm	22.2 mm	25.7	15.5	20.6
024-030	in.	22.5	26.2	44.2	2.6	7.6	1.4	4.4	10.8	3/4"	0.875	10.1	6.1	8.1
	cm.	57.2	66.5	112.3	6.6	19.3	3.6	11.2	27.4	19.1 mm	22.2 mm	25.7	15.5	20.6
036	in.	25.5	31.2	44.2	2.6	7.6	1.4	4.4	10.8	1"	0.875	10.1	6.1	8.1
	cm.	64.8	79.2	112.3	6.6	19.3	3.6	11.2	27.4	25.4 mm	22.2 mm	25.7	15.5	20.6
042-048	in.	25.5	31.2	48.2	2.6	7.6	1.4	4.4	10.8	1"	0.875	10.1	6.1	8.1
	cm.	64.8	79.2	122.4	6.6	19.3	3.6	11.2	27.4	25.4 mm	22.2 mm	25.7	15.5	20.6
060-072	in.	25.5	31.2	52.2	2.6	7.6	1.4	4.4	10.8	1"	0.875	10.1	6.1	8.1
	cm.	64.8	79.2	132.6	6.6	19.3	3.6	11.2	27.4	25.4 mm	22.2 mm	25.7	15.5	20.6

Vertical Models		Discharge Connection duct flange installed (±0.10 in)					**Return Connection using deluxe filter rack (±0.10 in)				
		M	N	P	Q	R	S	T	U	V	W
		Filter Rack Width	Supply Width	Supply Depth					Return Depth	Return Height	
009-012	in.	2.2	10.0	10.0	6.1	5.3	9.8	2.0	18.1	14.0	2.0
	cm.	5.6	25.4	25.4	##	13.5	24.9	5.1	46.0	35.6	5.1
015-018	in.	2.2	14.0	14.0	6.1	4.5	7.7	2.0	22.1	22.0	1.9
	cm.	5.6	35.6	35.6	##	11.4	19.6	5.1	56.1	55.9	4.8
024-030	in.	2.2	14.0	14.0	6.1	4.5	7.7	2.0	22.1	26.1	1.8
	cm.	5.6	35.6	35.6	##	11.4	19.6	5.1	56.1	66.3	4.6
036	in.	2.2	18.0	18.0	6.6	4.6	6.3	1.6	28.1	26.1	2.0
	cm.	5.6	45.7	45.7	##	11.7	16.0	4.1	71.4	66.3	5.1
042-048	in.	2.2	18.0	18.0	6.6	4.6	6.3	1.6	28.1	30.0	2.0
	cm.	5.6	45.7	45.7	##	11.7	16.0	4.1	71.4	76.2	5.1
060-072	in.	2.2	18.0	18.0	6.6	5.0	6.4	1.6	28.1	34.0	2.0
	cm.	5.6	45.7	45.7	##	12.7	16.3	4.1	71.4	86.4	5.1

Condensate is 3/4" PVC female glue socket and is switchable from side to front.

\*Discharge flange is field installed and extends 1" (25.4 mm) from top of cabinet.

\*\*Vertical units shipped with standard 2" (field adjustable to 1")

open application filter rack extending 2.2" from unit and is not suitable for duct connection,

For ductable return connection applications, order the deluxe 2" (field adjustable to 1")

duct collar/filter rack which extends 3.25" from the unit and is suitable for duct connections.

5/7/24

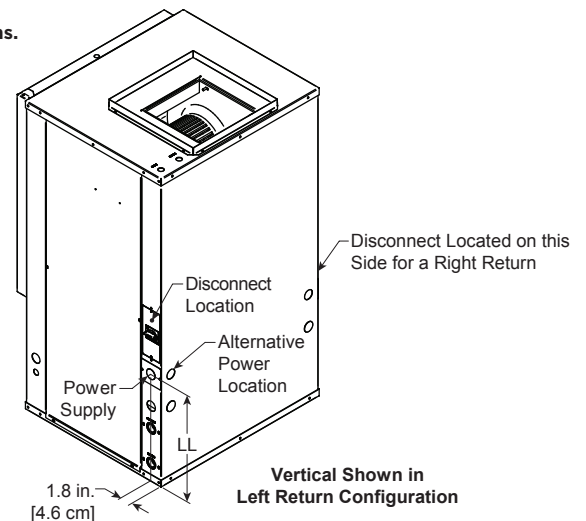
### Vertical Disconnect

When using disconnect, do not use dimension L from the standard vertical dimensional data. Use dimension LL from the vertical disconnect dimensional data.

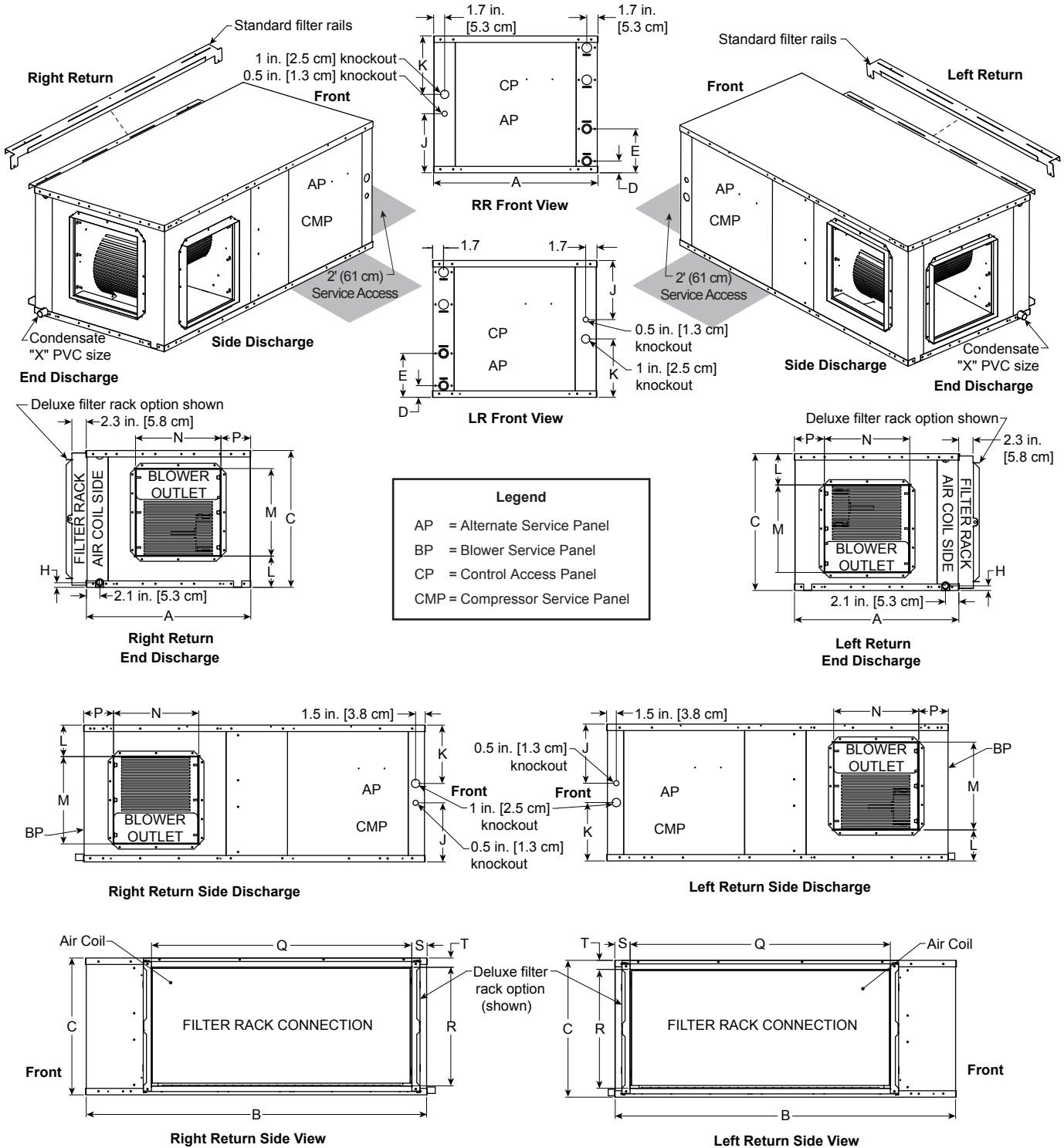
Vertical Models	LL
009-012	17.8 [45.2]
015-018	14.3 [36.3]
024-030	15.3 [38.9]
036-038	14.3 [36.3]
042-049	14.3 [36.3]
060-064	14.3 [36.3]
070-072	External

Dimensions in inches [cm]

3/16/12



# Dimensional Data Horizontal



## Dimensional Data Horizontal cont.

Horizontal Models		Overall Cabinet			Water Connections				Electrical Knockouts	
		A	B	C	1	2	3	Loop	J	K
					D	E	H		1/2" cond	1" cond
Width	Depth	Height*	In	Out	Condensate	Water FPT	Low Voltage	Power Supply		
009-012	in.	22.5	35.0	17.2	1.8	6.8	0.8	1/2"	7.1	7.1
	cm.	57.2	88.9	43.7	4.6	17.3	2.0	12.7 mm	18.0	18.0
015-018	in.	22.5	42.0	19.2	1.8	6.8	0.8	3/4"	9.1	7.1
	cm.	57.2	106.7	48.8	4.6	17.3	2.0	19.05 mm	23.1	18.0
024-030	in.	22.5	45.0	19.2	1.8	6.8	0.8	3/4"	9.2	7.1
	cm.	57.2	114.3	48.8	4.6	17.3	2.0	19.05 mm	23.4	18.0
036	in.	25.5	48.0	21.2	1.8	6.8	0.8	1"	9.2	9.1
	cm.	64.8	121.9	53.8	4.6	17.3	2.0	25.4 mm	23.4	23.1
042-048	in.	25.5	53.0	21.2	1.8	6.8	0.8	1"	9.2	9.1
	cm.	64.8	134.6	53.8	4.6	17.3	2.0	25.4 mm	23.4	23.1
060	in.	25.5	61.0	21.2	1.8	6.8	0.8	1"	9.2	9.1
	cm.	64.8	154.9	53.8	4.6	17.3	2.0	25.4 mm	23.4	23.1
072	in.	25.5	68.0	21.2	1.8	6.8	0.8	1"	9.2	9.1
	cm.	64.8	172.7	53.8	4.6	17.3	2.0	25.4 mm	23.4	23.1

Horizontal Models		Discharge Connection duct flange installed (±0.10 in)				Return Connection using deluxe filter rack option (±0.10 in)				Unit Hanger Dimensions			PVC Size
		L	M	N	P	Q	R	S	T	U	V	W	X
			Supply Width	Supply Depth		Return Depth	Return Height						
009-012	in.	5.9	7.2	9.5	6.0	16.4	14.5	2.0	1.4	35.7	25.1	21.4	3/4"
	cm.	15.0	18.3	24.1	15.2	41.7	36.8	5.1	3.6	90.7	63.8	54.4	1.9
015-018	in.	6.7	10.5	9.4	4.9	27.4	16.6	2.0	1.4	42.8	25.1	21.4	3/4"
	cm.	17.0	26.7	23.9	12.4	69.6	42.2	5.1	3.6	108.6	63.8	54.4	1.9
024-030	in.	6.7	10.5	9.4	4.9	30.4	16.6	2.0	1.5	45.8	25.1	21.4	3/4"
	cm.	17.0	26.7	23.9	12.4	77.2	42.2	5.1	3.8	116.3	63.8	54.4	1.9
036	in.	4.9	13.6	13.2	4.6	35.4	18.6	2.3	1.4	48.8	28.1	24.4	3/4"
	cm.	12.4	34.5	33.5	11.7	89.9	47.2	5.8	3.6	124.0	71.4	62.0	1.9
042-048	in.	4.9	13.6	13.2	4.6	40.4	18.6	2.3	1.4	53.8	28.1	24.4	3/4"
	cm.	12.4	34.5	33.5	11.7	102.6	47.2	5.8	3.6	136.7	71.4	62.0	1.9
060	in.	4.9	13.6	13.2	4.6	45.4	18.6	2.3	1.4	61.8	28.1	24.4	3/4"
	cm.	12.4	34.5	33.5	11.7	115.3	47.2	5.8	3.6	157.0	71.4	62.0	1.9
072	in.	4.9	13.6	13.2	4.6	45.4	18.6	2.3	1.4	68.8	28.1	24.4	3/4"
	cm.	12.4	34.5	33.5	11.7	115.3	47.2	5.8	3.6	174.8	71.4	62.0	1.9

5/7/24

Horizontal units shipped with standard 2" (field adjustable to 1") open application filter rack extending 2.2" from unit and is not suitable for duct connection, For ductable return connection applications, order the deluxe 2" (field adjustable to 1") duct collar/filter rack which extends 3.25" from the unit and is suitable for duct connections.

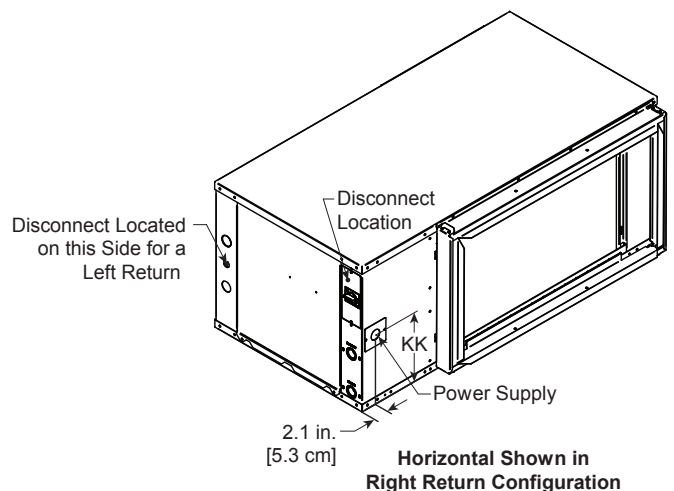
### Horizontal Disconnect

When using disconnect, do not use dimension K from the standard horizontal dimensional data. Use dimension KK from the horizontal disconnect dimensional data.

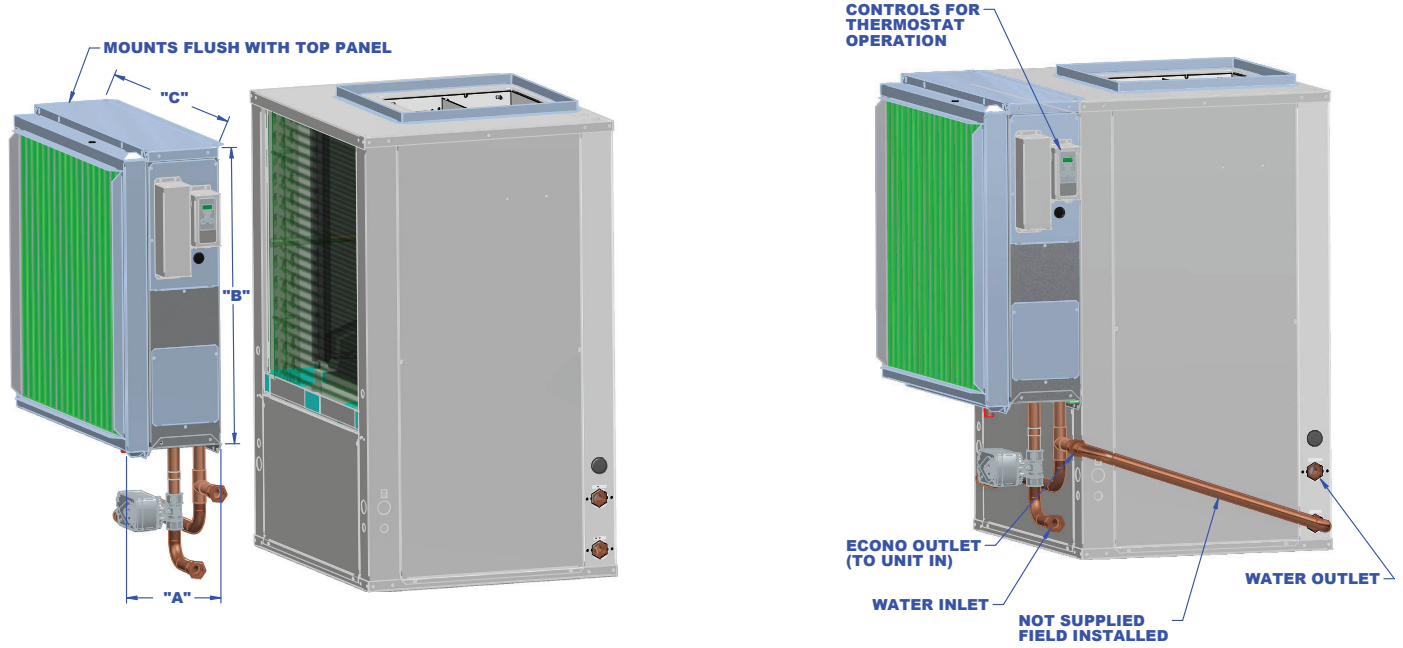
Horizontal Models	KK
009-012	8.2 [20.8]
015-018	9.2 [23.4]
024-030	9.2 [23.4]
036-038	11.2 [28.4]
042-049	10.2 [25.9]
060-064	11.2 [28.4]
070-072	10.2 [25.9]

Dimensions in inches [cm]

3/16/12



## Waterside Dimensional Data



MODEL SERIES	MODEL SERIES	MODEL SERIES	"A"	"B"	"C"	FILTER RACK WIDTH
*3V024-030			7.2	22	22.2	2.2
*3V036			7.2	26	26.2	2.2
*3V042-048	*5V024-030	*7V024	7.2	30	26.2	2.2
*3V060	*5V036-038	*7V036	7.2	30	31.2	2.2
*3V070	*5V042-049	*7V048	7.2	34	31.2	2.2
	*5V060-072	*7V060-072	7.2	38	31.2	2.2

## Physical Data - Dual Capacity

Model		Dual Capacity							
		018	024	030	036	042	048	060	072
Compressor (1 each)		Two Stage Scroll							
Factory Charge R-454B, oz [kg]	Vertical	32 [0.91]	50 [1.42]	56 [1.59]	54 [1.53]	56 [1.59]	62 [1.76]	76 [2.15]	104 [2.95]
Factory Charge R-454B, oz [kg]	Horizontal	36 [0.93]	48 [1.36]	54 [1.53]	54 [1.53]	62 [1.76]	72 [2.04]	84 [2.38]	104 [2.95]
<b>Blower Motor &amp; Blower</b>									
Blower Motor Type/Speeds	VS ECM	Variable Speed ECM							
	5-Speed ECM	5-Speed ECM							
Blower Motor- hp [W]	VS ECM	1/2 [373]	1/2 [373]	1/2 [373]	1/2 [373]	1/2 [373]	1/2 [373]	1 [746]	1 [746]
	5-Speed ECM	1/2 [373]	1/2 [373]	1/2 [373]	1/2 [373]	1 [746]	1 [746]	1 [746]	1 [746]
High Static Blower Motor - hp [W]	VS ECM	not available	not available	not available	1 [746]	1 [746]	1 [746]	not available	not available
Blower Wheel Size (Dia x W), in. [mm]	VS ECM	9 x 7 [229 x 178]	9 x 7 [229 x 178]	9 x 7 [229 x 178]	11 x 10 [279 x 254]	11 x 10 [279 x 254]	11 x 10 [279 x 254]	11 x 10 [279 x 254]	11 x 10 [279 x 254]
	5-Speed ECM	9 x 7 [229 x 178]	9 x 7 [229 x 178]	9 x 7 [229 x 178]	11 x 10 [279 x 254]	11 x 10 [279 x 254]	11 x 10 [279 x 254]	11 x 10 [279 x 254]	11 x 10 [279 x 254]
High Static Wheel Size (Dia x W), in. [mm]	VS ECM	not available	not available	not available	11 x 10 [279 x 254]	11 x 10 [279 x 254]	11 x 10 [279 x 254]	not available	not available
<b>Coax and Water Piping</b>									
Water Connections Size - FPT - in [mm]		1" [25.4]	1" [25.4]	1" [25.4]	1" [25.4]	1" [25.4]	1" [25.4]	1" [25.4]	1" [25.4]
HWG Connection Size - Female Sweat I.D. in [mm] (Vertical Only)		1/2" [12.7]	1/2" [12.7]	1/2" [12.7]	1/2" [12.7]	1/2" [12.7]	1/2" [12.7]	1/2" [12.7]	1/2" [12.7]
Coax & Piping Water Volume - gal [l]		0.40 [1.5]	0.7 [2.6]	1.0 [3.8]	1.3 [4.9]	1.3 [4.9]	1.6 [6.1]	1.6 [6.1]	2.3 [8.7]
<b>Vertical</b>									
Air Coil Dimensions (H x W), in. [mm]		19 x 20 [483 x 508]	24 x 20 [610 x 542]	28 x 20 [711 x 542]	28 x 25 [711 x 635]	32 x 25 [813 x 635]	32 x 25 [813 x 635]	36 x 25 [914 x 635]	36 x 25 [914 x 635]
Air Coil Total Face Area, ft <sup>2</sup> [m <sup>2</sup> ]		2.6 [0.242]	3.3 [0.310]	3.9 [0.362]	4.9 [0.451]	5.6 [0.570]	5.6 [0.570]	6.3 [0.641]	6.3 [0.641]
Air Coil Tube Size, in [mm]		3/8 [9.5]	3/8 [9.5]	3/8 [9.5]	3/8 [9.5]	5/16 [7.9]	5/16 [7.9]	3/8 [9.5]	3/8 [9.5]
Air Coil Number of rows		3	3	3	3	4	4	4	4
Filter Standard - 1" [25mm] Pleated MERV 4 Throwaway, in [mm]		1 - 24 x 24 [610 x 610]	28 x 24 [712 x 610]	28 x 24 [712 x 610]	28 x 30 [712 x 762]	32 x 30 [813 x 762]	32 x 30 [813 x 762]	30 x 36 [762 x 914]	30 x 36 [762 x 914]
Filter Standard - 2" [51mm] Pleated MERV 13 Throwaway, in [mm]		1 - 24 x 24 [610 x 610]	28 x 24 [712 x 610]	28 x 24 [712 x 610]	28 x 30 [712 x 762]	32 x 30 [813 x 762]	32 x 30 [813 x 762]	30 x 36 [762 x 914]	30 x 36 [762 x 914]
<b>Horizontal</b>									
Air Coil Dimensions (H x W), in. [mm]		18 x 21 [457 x 533]	18 x 27 [457 x 686]	18 x 30 [457 x 762]	20 x 35 [508 x 889]	20 x 40 [508 x 1016]	20 x 40 [508 x 1016]	20 x 45 [508 x 1143]	20 x 45 [508 x 1143]
Air Coil Total Face Area, ft <sup>2</sup> [m <sup>2</sup> ]		2.6 [0.242]	3.4 [0.316]	3.9 [0.362]	4.9 [0.451]	5.6 [0.570]	5.6 [0.570]	6.3 [0.641]	6.3 [0.641]
Air Coil Tube Size, in [mm]		5/16 [7.9]	3/8 [9.5]	3/8 [9.5]	3/8 [9.5]	3/8 [9.5]	3/8 [9.5]	3/8 [9.5]	3/8 [9.5]
Air Coil Number of rows		3	3	3	3	3	3	4	4
Filter Standard - 1" [25mm] Pleated MERV 4 Throwaway, in [mm]		1 - 18 x 14 [457 x 356] 1 - 18 x 16 [457 x 406]	1 - 18 x 18 [457 x 457] 1 - 18 x 14 [457 x 356]	1 - 18 x 18 [457 x 457] 1 - 18 x 14 [457 x 356]	2 - 18 x 20 [457 x 508]	1 - 20 x 20 [508 x 508] 1 - 20 x 22 [508 x 559]	1 - 20 x 20 [508 x 508] 1 - 20 x 22 [508 x 559]	1 - 20 x 25 [508 x 635] 1 - 20 x 22 [508 x 559]	1 - 20 x 25 [508 x 635] 1 - 20 x 22 [508 x 559]
Filter Standard - 2" [51mm] Pleated MERV 13 Throwaway, in [mm]		1 - 18 x 29 [457 x 737]	1 - 18 x 32 [457 x 813]	1 - 18 x 32 [457 x 813]	1 - 20 x 37 [686 x 940]	1 - 20 x 20 [508 x 508] 1 - 20 x 22 [508 x 559]	1 - 20 x 20 [508 x 508] 1 - 20 x 22 [508 x 559]	1 - 20 x 25 [508 x 635] 1 - 20 x 22 [508 x 559]	1 - 20 x 25 [508 x 635] 1 - 20 x 22 [508 x 559]

# Physical Data - Single Speed

Model		Single Speed											
		009	012	015	018	024	030	036	042	048	060	072	
Compressor (1 each)		Fixed Speed Rotary					Single Stage Scroll						
Factory Charge R-454B, oz [kg]	Vertical	24 [0.68]	30 [0.85]	34 [0.96]	32 [0.91]	44 [1.25]	52 [1.47]	52 [1.47]	56 [1.59]	58 [1.64]	74 [2.10]	100 [2.83]	
Factory Charge R-454B, oz [kg]	Horizontal	24 [0.68]	30 [0.85]	34 [0.96]	32 [0.91]	44 [1.25]	52 [1.47]	58 [1.64]	62 [1.76]	68 [1.93]	74 [2.10]	104 [2.95]	
<b>Blower Motor &amp; Blower</b>													
Blower Motor Type/Speeds	VS ECM	Variable Speed (Constant Torque)			Variable Speed (Constant CFM)								
	5-Speed ECM	Not Available			5 Speeds								
Blower Motor- hp [W]	VS ECM	1/10 [75]	1/10 [75]	1/2 [373]	1/2 [373]	1/2 [373]	1/2 [373]	1/2 [373]	1/2 [373]	1/2 [373]	1 [746]	1 [746]	
	5-Speed ECM	Not Available		1/2 [373]	1/2 [373]	1/2 [373]	1/2 [373]	1/2 [373]	1 [746]	1 [746]	1 [746]	1 [746]	
High Static Blower Motor hp [W]	VS ECM	Not Available					1 [746]	1 [746]	1 [746]	Not Available			
Blower Wheel Size (Dia x W), in. [mm]	VS ECM	6 x 8 [152 x 203]	6 x 8 [152 x 203]	6 x 8 [152 x 203]	9 x 7 [229 x 178]	9 x 7 [229 x 178]	9 x 7 [229 x 178]	9 x 7 [229 x 178]	11 x 10 [279 x 254]	11 x 10 [279 x 254]	11 x 10 [279 x 254]	11 x 10 [279 x 254]	11 x 10 [279 x 254]
	5-Speed ECM	Not Available		9 x 7 [229 x 178]	9 x 7 [229 x 178]	9 x 7 [229 x 178]	9 x 7 [229 x 178]	11 x 10 [279 x 254]	11 x 10 [279 x 254]	11 x 10 [279 x 254]	11 x 10 [279 x 254]	11 x 10 [279 x 254]	
High Static Wheel Size (Dia x W), in. [mm]	VS ECM	Not Available					11 x 10 [279 x 254]	11 x 10 [279 x 254]	11 x 10 [279 x 254]	Not Available			
<b>Coax and Water Piping</b>													
Water Connections Size - FPT - in [mm]		1/2" [12.7]	1/2" [12.7]	3/4" [19.05]	3/4" [19.05]	3/4" [19.05]	3/4" [19.05]	1" [25.4]	1" [25.4]	1" [25.4]	1" [25.4]	1" [25.4]	
HWG Connection Size - Female Sweat I.D. in [mm] (Vertical Only)		Not Available			1/2" [12.7]	1/2" [12.7]	1/2" [12.7]	1/2" [12.7]	1/2" [12.7]	1/2" [12.7]	1/2" [12.7]	1/2" [12.7]	
Coax & Piping Water Volume - gal [l]		0.26 [0.98]	0.3 [1.12]	0.4 [1.49]	0.4 [1.49]	0.4 [1.49]	0.75 [2.83]	0.9 [3.41]	0.9 [3.41]	1.25 [4.72]	1.5 [5.68]	1.5 [5.68]	
<b>Vertical</b>													
Air Coil Dimensions (H x W), in. [mm]		12 x 16 [305 x 406]	16 x 16 [406 x 406]	19 x 20 [483 x 508]	19 x 20 [483 x 508]	24 x 20 [610 x 508]	28 x 20 [711 x 508]	28 x 25 [711 x 635]	32 x 25 [813 x 635]	32 x 25 [813 x 635]	36 x 25 [914 x 635]	36 x 25 [914 x 635]	
Air Coil Total Face Area, ft <sup>2</sup> [m <sup>2</sup> ]		1.3 [0.121]	1.8 [0.167]	2.6 [0.242]	2.6 [0.242]	3.3 [0.307]	3.9 [0.362]	4.9 [0.455]	5.6 [0.570]	5.6 [0.570]	6.3 [0.585]	6.3 [0.585]	
Air Coil Tube Size, in [mm]		5/16 [7.9]	3/8 [9.5]	5/16 [7.9]	5/16 [7.9]	3/8 [9.5]	3/8 [9.5]	3/8 [9.5]	5/16 [7.9]	5/16 [7.9]	3/8 [9.5]	3/8 [9.5]	
Air Coil Number of rows		3	3	3	3	3	3	3	4	4	4	4	
Filter Standard - 1" [25mm] Pleated MERV 4 Throwaway, in [mm]		1 - 16 x 20 [406 x 508]	1 - 16 x 20 [406 x 508]	1 - 24 x 24 [610 x 610]	1 - 24 x 24 [610 x 610]	28 x 24 [712 x 610]	28 x 24 [712 x 610]	28 x 30 [712 x 762]	32 x 30 [813 x 762]	32 x 30 [813 x 762]	30 x 36 [762 x 914]	30 x 36 [762 x 914]	
Filter Standard - 2" [51mm] Pleated MERV 13 Throwaway, in [mm]		1 - 16 x 20 [406 x 508]	1 - 16 x 20 [406 x 508]	1 - 24 x 24 [610 x 610]	1 - 24 x 24 [610 x 610]	28 x 24 [712 x 610]	28 x 24 [712 x 610]	28 x 30 [712 x 762]	32 x 30 [813 x 762]	32 x 30 [813 x 762]	30 x 36 [762 x 914]	30 x 36 [762 x 914]	
<b>Horizontal</b>													
Air Coil Dimensions (H x W), in. [mm]		12 x 16 [305 x 406]	16 x 16 [406 x 406]	18 x 21 [457 x 533]	18 x 21 [457 x 533]	18 x 27 [457 x 686]	18 x 30 [457 x 762]	20 x 35 [508 x 889]	20 x 40 [508 x 1016]	20 x 40 [508 x 1016]	20 x 45 [508 x 1143]	20 x 45 [508 x 1143]	
Air Coil Total Face Area, ft <sup>2</sup> [m <sup>2</sup> ]		1.3 [0.121]	1.8 [0.167]	2.6 [0.242]	2.6 [0.242]	3.4 [0.316]	3.8 [0.353]	4.9 [0.455]	5.6 [0.520]	5.6 [0.520]	6.3 [0.585]	6.3 [0.585]	
Air Coil Tube Size, in [mm]		5/16 [7.9]	3/8 [9.5]	5/16 [7.9]	5/16 [7.9]	3/8 [9.5]	3/8 [9.5]	3/8 [9.5]	3/8 [9.5]	3/8 [9.5]	3/8 [9.5]	3/8 [9.5]	
Air Coil Number of rows		3	3	3	3	3	3	3	3	3	3	3	
Filter Standard - 1" [25mm] Pleated MERV 4 Throwaway, in [mm]		1 - 16 x 18 [406 x 508]	1 - 16 x 18 [406 x 508]	1 - 18 x 14 [457 x 356] 1 - 18 x 16 [457 x 406]	1 - 18 x 14 [457 x 356] 1 - 18 x 16 [457 x 406]	1 - 18 x 18 [457 x 457] 1 - 18 x 14 [457 x 356]	1 - 18 x 18 [457 x 457] 1 - 18 x 14 [457 x 356]	2 - 18 x 20 [457 x 508]	1 - 20 x 20 [508 x 508] 1 - 20 x 22 [508 x 559]	1 - 20 x 20 [508 x 508] 1 - 20 x 22 [508 x 559]	1 - 20 x 25 [508 x 635] 1 - 20 x 22 [508 x 559]	1 - 20 x 25 [508 x 635] 1 - 20 x 22 [508 x 559]	
Filter Standard - 2" [51mm] Pleated MERV 13 Throwaway, in [mm]		1 - 16 x 18 [406 x 508]	1 - 16 x 18 [406 x 508]	1 - 18 x 29 [457 x 737]	1 - 18 x 29 [457 x 737]	1 - 18 x 32 [457 x 813]	1 - 18 x 32 [457 x 813]	1 - 20 x 37 [686 x 940]	1 - 20 x 20 [508 x 508] 1 - 20 x 22 [508 x 559]	1 - 20 x 20 [508 x 508] 1 - 20 x 22 [508 x 559]	1 - 20 x 25 [508 x 635] 1 - 20 x 22 [508 x 559]	1 - 20 x 25 [508 x 635] 1 - 20 x 22 [508 x 559]	



# Blower Performance Data

## 5-Spd ECM Motor Series Single Speed

Model	Motor Spd	Motor Tap	T'Stat Cnct.	Blower Size	Motor HP	Airflow (cfm) at External Static Pressure (in. wg)															
						0	0.05	0.10	0.15	0.20	0.25	0.30	0.35	0.40	0.45	0.50	0.60	0.70	0.80	0.90	1.00
015	High	5		9 x 7	1/2	916	898	881	866	851	679	813	804	795	774	754	731	695	643	-	-
	<b>Med High</b>	<b>4</b>	W			809	787	765	754	743	725	707	688	669	654	639	606	536	-	-	-
	Med	3				727	715	703	682	661	638	616	601	587	561	536	485	-	-	-	-
	<b>Med Low</b>	<b>2</b>	Y1			699	675	652	631	611	594	577	551	525	490	455	-	-	-	-	-
	<b>Low</b>	<b>1</b>	G			656	604	552	530	508	493	479	436	394	350	-	-	-	-	-	-
018	High	5		9 x 7	1/2	916	898	881	866	851	679	813	804	795	774	754	731	695	643	-	-
	<b>Med High</b>	<b>4</b>	W			809	787	765	754	743	725	707	688	669	654	639	606	536	-	-	-
	Med	3				727	715	703	682	661	638	616	601	587	561	536	485	-	-	-	-
	<b>Med Low</b>	<b>2</b>	Y1			699	675	652	631	611	594	577	551	525	490	455	-	-	-	-	-
	<b>Low</b>	<b>1</b>	G			656	604	552	530	508	493	479	436	394	350	-	-	-	-	-	-
024	High	5		9 x 7	1/2	1015	1003	990	975	955	945	935	920	905	890	880	850	825	745	-	-
	<b>Med High</b>	<b>4</b>	Y1			935	915	895	880	875	855	840	825	815	800	785	755	720	580	-	-
	Med	3				865	855	845	825	810	795	780	765	750	735	720	675	610	570	-	-
	<b>Med Low</b>	<b>2</b>	G			810	790	770	755	740	725	710	695	680	660	640	560	530	-	-	-
	<b>Low</b>	<b>1</b>				695	645	595	575	550	520	495	455	420	400	-	-	-	-	-	-
030	High	5		9 x 7	1/2	1407	1381	1354	1327	1300	1267	1233	1201	1168	1131	1094	1009	-	-	-	-
	<b>Med High</b>	<b>4</b>	W			1146	1134	1122	1111	1099	1085	1071	1062	1052	1042	1031	966	-	-	-	-
	Med	3	Y1			1023	1012	1001	985	969	959	949	937	925	913	901	-	-	-	-	-
	Med Low	2				978	962	946	934	922	907	891	882	872	858	843	-	-	-	-	-
	<b>Low</b>	<b>1</b>	G			795	777	759	748	737	718	698	686	673	650	626	-	-	-	-	-
036	High	5	W	11 x 10	1/2	1530	1503	1476	1453	1429	1413	1397	1376	1355	1342	1329	1276	1231	1173	-	-
	<b>Med High</b>	<b>4</b>	Y1			1413	1388	1363	1342	1321	1303	1285	1263	1240	1226	1212	1173	1016	946	-	-
	Med	3				1355	1325	1294	1276	1258	1235	1212	1188	1164	1144	1123	982	909	883	-	-
	Med Low	2				1336	1299	1261	1242	1222	1202	1181	1157	1132	1111	1090	937	874	830	-	-
	<b>Low</b>	<b>1</b>	G			1243	1182	1121	1061	1000	964	928	856	784	744	703	647	592	-	-	-
042	High	5		11 x 10	1	1934	1910	1886	1871	1855	1827	1799	1780	1760	1747	1734	1700	1659	1617	-	-
	<b>Med High</b>	<b>4</b>	W			1799	1783	1767	1744	1720	1693	1666	1649	1631	1617	1603	1560	1530	1492	-	-
	Med	3				1694	1680	1666	1642	1617	1592	1567	1552	1537	1519	1500	1453	1421	1372	-	-
	<b>Med Low</b>	<b>2</b>	Y1			1575	1560	1540	1520	1502	1487	1471	1448	1424	1409	1393	1351	1308	1266	-	-
	<b>Low</b>	<b>1</b>	G			1454	1406	1358	1333	1308	1285	1261	1239	1217	1198	1179	1072	1002	988	-	-
048	High	5		11 x 10	1	1934	1910	1886	1871	1855	1827	1799	1780	1760	1747	1734	1700	1659	1617	-	-
	<b>Med High</b>	<b>4</b>	W			1799	1783	1767	1744	1720	1693	1666	1649	1631	1617	1603	1560	1530	1492	-	-
	Med	3	Y1			1694	1680	1666	1642	1617	1592	1567	1552	1537	1519	1500	1453	1421	1372	-	-
	Med Low	2				1575	1560	1540	1520	1502	1487	1471	1448	1424	1409	1393	1351	1308	1266	-	-
	<b>Low</b>	<b>1</b>	G			1454	1406	1358	1333	1308	1285	1261	1239	1217	1198	1179	1072	1002	988	-	-
060	High	5	W	11 x 10	1	2230	2212	2193	2173	2152	2139	2125	2109	2092	2076	2059	2026	1992	1951	1892	1806
	<b>Med High</b>	<b>4</b>	Y1			2081	2065	2048	2032	2015	1998	1980	1963	1946	1928	1910	1880	1849	1806	1767	1728
	Med	3				1951	1931	1910	1889	1868	1850	1831	1812	1793	1774	1755	1722	1688	1654	1612	1562
	Med Low	2				1812	1790	1767	1748	1728	1708	1688	1671	1654	1640	1626	1584	1547	1510	1472	1417
	<b>Low</b>	<b>1</b>	G			1668	1651	1633	1612	1591	1566	1540	1525	1510	1491	1472	1433	1400	1351	1299	1208
072	High	5	W	11 x 10	1	2472	2454	2435	2414	2393	2371	2349	2328	2306	2289	2271	2236	2189	2121	2033	1936
	<b>Med High</b>	<b>4</b>	Y1			2271	2248	2225	2205	2184	2166	2147	2129	2110	2094	2078	2039	2011	1977	1930	1846
	Med	3				2133	2115	2096	2072	2047	2030	2013	1996	1979	1965	1950	1909	1873	1837	1793	1748
	Med Low	2				2008	1985	1962	1939	1915	1898	1880	1862	1843	1828	1812	1774	1742	1703	1669	1635
	<b>Low</b>	<b>1</b>	G			1806	1784	1761	1742	1722	1696	1669	1656	1642	1625	1607	1564	1527	1490	1443	1404

Factory settings are in Bold

5/7/24

Air flow values are with dry coil and standard 1" filter

## About 5-Speed ECM Constant Torque Motors

The 5-speed ECM is a 'Constant Torque' ECM motor and delivers air flow similar to a PSC but operates as efficiently as a variable speed ECM motor. Because it is an ECM motor, the 5-speed ECM can ramp slowly up or down like the variable speed ECM motor. There are 5 possible speed taps available on the 5-speed ECM motor with #1 being the lowest airflow and #5 being the highest airflow. These speed selections are preset at the time of manufacture and are easily changed in the field if necessary.

If more than one tap are energized at the same time, built in logic gives precedence to the highest tap number and allows air flow to change with G, Y1, Y2 and W signals. Each of those 5 speeds has a specific 'Torque' value programmed into the motor for each speed selection. As static pressure increases,

airflow decreases resulting in less torque on the rotor. The motor responds only to changes in torque and adjusts its speed accordingly.

The 5-speed ECM motor is powered by line voltage but the motor speed is energized by 24VAC.

### 5-Speed ECM Benefits:

- High efficiency
- Soft start
- 5 speeds with up to 4 speeds on-line
- Built in logic allows air flow to change with G, Y1, Y2 and W signals
- Super efficient low airflow continuous blower setting (G)

# Blower Performance Data

## Dual Capacity

Model	Motor Speed	Motor Tap	T'stat Connection	Blower Size	Motor HP	Airflow (cfm) at External Static Pressure (in. wg)																
						0	0.05	0.10	0.15	0.20	0.25	0.30	0.35	0.40	0.45	0.50	0.60	0.70	0.80	0.90	1.00	
018	High	5		9 x 7	1/2	916	898	881	866	851	679	813	804	795	774	754	731	695	643	-	-	
	<b>Med High</b>	<b>4</b>	W			809	787	765	754	743	725	707	688	669	654	639	606	536	-	-	-	
	Med	3				727	715	703	682	661	638	616	601	587	561	536	485	-	-	-	-	
	<b>Med Low</b>	<b>2</b>	Y1			699	675	652	631	611	594	577	551	525	490	455	-	-	-	-	-	
	<b>Low</b>	<b>1</b>	G			656	604	552	530	508	493	479	436	394	350	-	-	-	-	-	-	-
024	High	5	W	9 x 7	1/2	1015	1003	990	975	955	945	935	920	905	890	880	850	825	745	-	-	
	<b>Med High</b>	<b>4</b>	Y1			935	915	895	880	875	855	840	825	815	800	785	755	720	580	-	-	
	Med	3				865	855	845	825	810	795	780	765	750	735	720	675	610	570	-	-	
	<b>Med Low</b>	<b>2</b>	G			810	790	770	755	740	725	710	695	680	660	640	560	530	-	-	-	-
	<b>Low</b>	<b>1</b>				695	645	595	575	550	520	495	455	420	400	-	-	-	-	-	-	-
030	High	5		9 x 7	1/2	1407	1381	1354	1327	1300	1267	1233	1201	1168	1131	1094	1009	-	-	-	-	
	<b>Med High</b>	<b>4</b>	W			1146	1134	1122	1111	1099	1085	1071	1062	1052	1042	1031	966	-	-	-	-	
	Med	3	Y1			1023	1012	1001	985	969	959	949	937	925	913	901	-	-	-	-	-	
	Med Low	2				978	962	946	934	922	907	891	882	872	858	843	-	-	-	-	-	
	<b>Low</b>	<b>1</b>	G			795	777	759	748	737	718	698	686	673	650	626	-	-	-	-	-	-
036	High	5	W	11 x 10	1/2	1530	1503	1476	1453	1429	1413	1397	1376	1355	1342	1329	1276	1231	1173	-	-	
	<b>Med High</b>	<b>4</b>	Y1			1413	1388	1363	1342	1321	1303	1285	1263	1240	1226	1212	1173	1016	946	-	-	
	Med	3				1355	1325	1294	1276	1258	1235	1212	1188	1164	1144	1123	982	909	883	-	-	
	Med Low	2				1336	1299	1261	1242	1222	1202	1181	1157	1132	1111	1090	937	874	830	-	-	
	<b>Low</b>	<b>1</b>	G			1243	1182	1121	1061	1000	964	928	856	784	744	703	647	592	-	-	-	-
042	High	5		11 x 10	1	1934	1910	1886	1871	1855	1827	1799	1780	1760	1747	1734	1700	1659	1617	-	-	
	<b>Med High</b>	<b>4</b>	W			1799	1783	1767	1744	1720	1693	1666	1649	1631	1617	1603	1560	1530	1492	-	-	
	Med	3				1694	1680	1666	1642	1617	1592	1567	1552	1537	1519	1500	1453	1421	1372	-	-	
	<b>Med Low</b>	<b>2</b>	Y1			1575	1560	1540	1520	1502	1487	1471	1448	1424	1409	1393	1351	1308	1266	-	-	
	<b>Low</b>	<b>1</b>	G			1454	1406	1358	1333	1308	1285	1261	1239	1217	1198	1179	1072	1002	988	-	-	-
048	High	5		11 x 10	1	1934	1910	1886	1871	1855	1827	1799	1780	1760	1747	1734	1700	1659	1617	-	-	
	<b>Med High</b>	<b>4</b>	W			1799	1783	1767	1744	1720	1693	1666	1649	1631	1617	1603	1560	1530	1492	-	-	
	Med	3	Y1			1694	1680	1666	1642	1617	1592	1567	1552	1537	1519	1500	1453	1421	1372	-	-	
	Med Low	2				1575	1560	1540	1520	1502	1487	1471	1448	1424	1409	1393	1351	1308	1266	-	-	
	<b>Low</b>	<b>1</b>	G			1454	1406	1358	1333	1308	1285	1261	1239	1217	1198	1179	1072	1002	988	-	-	-
060	High	5	W	11 x 10	1	2230	2212	2193	2173	2152	2139	2125	2109	2092	2076	2059	2026	1992	1951	1892	1806	
	<b>Med High</b>	<b>4</b>	Y1			2081	2065	2048	2032	2015	1998	1980	1963	1946	1928	1910	1880	1849	1806	1767	1728	
	Med	3				1951	1931	1910	1889	1868	1850	1831	1812	1793	1774	1755	1722	1688	1654	1612	1562	
	Med Low	2				1812	1790	1767	1748	1728	1708	1688	1671	1654	1640	1626	1584	1547	1510	1472	1417	
	<b>Low</b>	<b>1</b>	G			1668	1651	1633	1612	1591	1566	1540	1525	1510	1491	1472	1433	1400	1351	1299	1208	
072	High	5	W	11 x 10	1	2472	2454	2435	2414	2393	2371	2349	2328	2306	2289	2271	2236	2189	2121	2033	1936	
	<b>Med High</b>	<b>4</b>	Y1			2271	2248	2225	2205	2184	2166	2147	2129	2110	2094	2078	2039	2011	1977	1930	1846	
	Med	3				2133	2115	2096	2072	2047	2030	2013	1996	1979	1965	1950	1909	1873	1837	1793	1748	
	Med Low	2				2008	1985	1962	1939	1915	1898	1880	1862	1843	1828	1812	1774	1742	1703	1669	1635	
	<b>Low</b>	<b>1</b>	G			1806	1784	1761	1742	1722	1696	1669	1656	1642	1625	1607	1564	1527	1490	1443	1404	

Factory speed settings are in Bold

Air flow values are with dry coil and standard filter

For wet coil performance first calculate the face velocity of the air coil (Face Velocity [fpm] = Airflow [cfm] / Face Area [sq ft]).

Then for velocities of 200 fpm reduce the static capability by 0.03 in. wg, 300 fpm by 0.08 in. wg, 400 fpm by 0.12in. wg., and 500 fpm by 0.16 in. wg.

Highest setting is for auxiliary heat (W) and lowest setting is for constant blower (G). The "Y1" and "Y2" settings must be between the "G" and "W" settings.

5/7/24

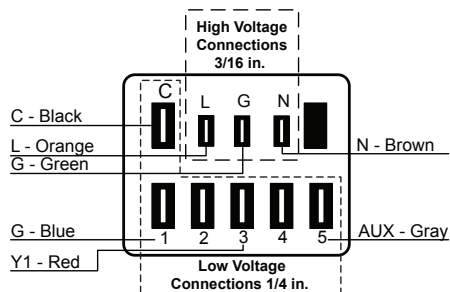
## Setting Blower Speed - 5-Speed ECM

5-speed ECM blower motors have five (5) speeds of which three (3) are selectable on single speed and four (4) are selectable on dual capacity.

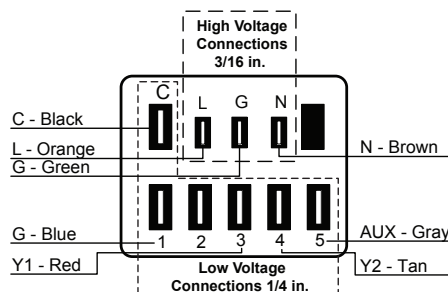


**CAUTION: Disconnect all power before performing this operation.**

5-Speed ECM Motor Connections - Single Speed



5-Speed ECM Motor Connections - Dual Capacity



## Blower Performance Data

### VS ECM Single Speed

Model	Max ESP	Blower Size	Motor hp	Airflow DIP Switch Settings											
				1	2	3	4	5	6	7	8	9	10	11	12
015	0.50	9 x 7	1/2	300	400 L	<b>500</b>	<b>600 M</b>	<b>700 H</b>							
018	0.50	9 x 7	1/2	300	400 L	<b>500</b>	<b>600 M</b>	<b>700 H</b>	<b>800</b>						
024	0.50	9 x 7	1/2		400	500 L	<b>600 M</b>	<b>700 H</b>	<b>800 H</b>	<b>900</b>	1000	1100	1200		
030	0.50	9 x 7	1/2		400	500 L	600	<b>700 M</b>	<b>800 H</b>	<b>900 H</b>	<b>1000</b>	<b>1100</b>	1200		
036	0.50	11 x 10	1/2	650	750	850 L	1000	<b>1100 M</b>	<b>1200 H</b>	<b>1300 H</b>	<b>1400</b>	<b>1500</b>			
036 w/1hp*	0.75	11 x 10	1	800	1000 L	<b>1100 M</b>	<b>1300 H</b>	<b>1500</b>	<b>1600</b>	1800					
042	0.50	11 x 10	1/2	650	800	900 L	1050	<b>1150 M</b>	<b>1250 H</b>	<b>1350</b>	<b>1450 H</b>	<b>1550</b>			
042 w/1hp*	0.75	11 x 10	1	800	900 L	1000	<b>1200 M</b>	<b>1400 H</b>	<b>1600</b>	<b>1700</b>	<b>1850</b>	2000	2200	2300	2400
048	0.50	11 x 10	1/2	650	800	900 L	1050	1150	<b>1250 H</b>	<b>1350 M</b>	<b>1450 H</b>	<b>1550 H</b>			
048 w/1hp*	0.75	11 x 10	1	800	900	1000 L	1200	<b>1400 M</b>	<b>1600 H</b>	<b>1700</b>	<b>1850</b>	2000	2200	2300	2400
060	0.75	11 x 10	1	800	950	1100 L	1300	<b>1500 M</b>	<b>1750 H</b>	<b>1950 H</b>	<b>2100</b>	<b>2300</b>			
072	0.75	11 x 10	1	800	950	1100 L	1300	<b>1500 M</b>	<b>1750 H</b>	<b>1950 H</b>	<b>2100 H</b>	<b>2300</b>			

1/25/24

### VS ECM Dual Capacity

Model	Max ESP	AIR FLOW SPEED SETTINGS													
		1	2	3	4	5	6	7	8	9	10	11	12		
018	0.50	300	400 G	<b>500</b>	<b>600 L</b>	<b>700 H</b>	<b>800</b>	<b>875</b>	950	1025	1125 Aux				
024	0.50		400	500 G	600	<b>700 L</b>	<b>800 H</b>	<b>900 H</b>	<b>1000</b>	1100	1200 Aux				
030	0.50		400	500 G	600	<b>700 L</b>	<b>800 H</b>	<b>900 H</b>	<b>1000</b>	<b>1100</b>	1200 Aux				
036	0.50	650	750 G	850	1000	<b>1100 L</b>	<b>1200 H</b>	<b>1300 H</b>	<b>1400</b>	<b>1500</b>	1550 Aux				
042	0.50	650	800	900 G	1050	<b>1150 L</b>	<b>1250 H</b>	<b>1350 H</b>	<b>1450 H</b>	<b>1550</b>	1600 Aux				
048	0.50	650	800 G	900	1050	1150	<b>1250 H</b>	<b>1350 L</b>	<b>1450 H</b>	<b>1550 H</b>	1575 Aux				
060	0.75	800	950 G	1100	1300	<b>1500 L</b>	<b>1750 H</b>	<b>1950 H</b>	<b>2100</b>	<b>2300</b>	2325 Aux				
072	0.75	800	950 G	1100 G	1300	<b>1500 L</b>	<b>1750 L</b>	<b>1950 H</b>	<b>2100 H</b>	<b>2300</b>	2325 Aux				

1/25/24

Factory settings are at recommended G-L-H-Aux speed settings

L-H settings MUST be located within boldface CFM range

"Aux" is factory setting for auxiliary heat and must be equal to or above the "H" setting as well as at least the minimum required for the auxiliary heat package

"G" may be located anywhere within the airflow table

CFM is controlled within ±5% up to the maximum ESP

Max ESP includes allowance for wet coil and standard filter

Factory settings are at recommended L-M-H DIP switch locations

M-H settings MUST be located within boldface CFM range

Lowest and Highest DIP switch settings are assumed to be L and H respectively

CFM is controlled within ±5% up to the maximum ESP

Max ESP includes allowance for wet coil and 1" MERV 4

## Blower Performance Data

### Variable Speed Constant Torque ECM 009-012 Models

Fan Speed	Fan RPM	Airflow [cfm] at External Static Pressure [in. wg.]								
		0.0	0.1	0.2	0.3	0.4	0.5	0.6	0.7	0.8
1	0									
2	514	190								
3	630	245	50							
4	800	330	230							
5	950	405	320	175						
6	1100	485	420	335	180					
7	1200	540	485	405	320					
8	1300	560	535	490	415	305				
9	1400	560	535	510	475	445	340			
10	1500	560	535	510	475	450	425	390	270	
11	1600	560	535	510	475	450	425	390	365	
12	1700	560	535	510	475	450	425	390	365	320

11/7/23

Air flow values are with dry coil and standard 1" filter

### Setting Blower Speed - Variable Speed ECM

The ABC board's Yellow Config LED will flash the current variable speed ECM blower speed selections for low, med, and high continuously with a short pause in between. The speeds can also be confirmed with the AID Tool under the Setup/ECM Setup screen. The variable speed ECM blower motor speeds can be field adjusted with or without using an AID Tool.

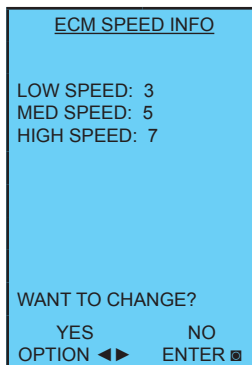
### Variable Speed ECM Setup without an AID Tool

The blower speeds for Low (G only), Med (Y1), and High (Y2/Aux) can be adjusted directly at the Aurora ABC board which utilizes the push button (SW1) on the ABC board. This procedure is outlined in the Variable Speed ECM Configuration Mode portion of the Aurora 'Base' Control System section.

### Variable Speed ECM Setup with an AID Tool

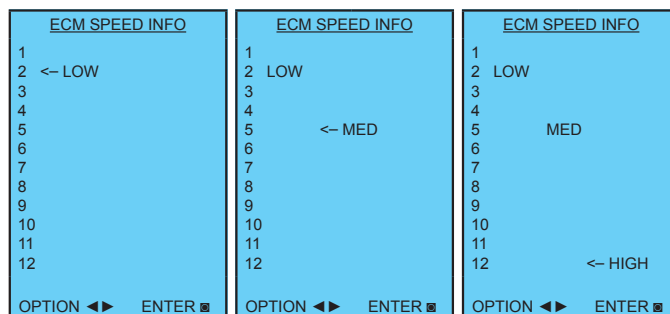
A much easier method utilizes the AID Tool to change the airflow using the procedure below. First navigate to the Setup screen and then select ECM Setup. This screen displays the current variable speed ECM settings. It allows the technician to enter the setup screens to change the variable speed ECM settings. Change the highlighted item using the ◀ and ▶ buttons and then press the ◻ button to select the item.

### Variable Speed ECM Setup with an AID Tool cont.



Selecting YES will enter variable speed ECM speed setup, while selecting NO will return to the previous screen.

*Variable Speed ECM Speed Setup* - These screens allow the technician to select the low, medium, and high blower speed for the variable speed ECM blower motor. Change the highlighted item using the ▲ and ▼ buttons. Press the ◻ button to select the speed.



After the high speed setting is selected the AID Tool will automatically transfer back to the ECM Setup screen.

## Unit Startup

### Before Powering Unit, Check The Following:

- Power supply matches nameplate specifications.
- Power supply fuses, breakers and wires are sized correctly.
- Switch the Transformer to 208V if applicable.
- Low voltage wiring complete.
- Piping completed and water system cleaned and flushed.
- Air is purged from closed loop system.
- Isolation valves are open, water control valves or loop pumps wired.
- Condensate line open and correctly pitched.
- Dip switches are set correctly.
- Blower wheel rotates freely and turns in the correct direction.
- Air filter/cleaner is clean and in position.
- Service/access panels are in place.
- Return air temperature is between 50-80°F heating and 60-95°F cooling.
- Evaluate air coil cleanliness to insure optimum performance. Clean as needed according to maintenance guidelines.

### Startup Steps

**NOTE:** Complete the Equipment Start-Up/Commissioning Check Sheet during this procedure. Refer to thermostat operating instructions and complete the startup procedure.

1. Initiate a control signal to energize the blower motor. Check the blower operation.
2. Be sure the water control valve or loop pump(s) are activated.
3. Initiate a control signal to place the unit in the cooling mode. Cooling set point must be set below room temperature.
4. Cooling will energize after time delay. Check for correct rotation of scroll compressor in three (3) phase applications. Incorrect rotation will cause low refrigerant pressures and possibly unusual noise. Switch any two power leads at the compressor or contactor to reverse rotation.
5. Verify that the water flow rate is correct by measuring the pressure drop through the heat exchanger using the P/T plugs and comparing to the pressure drop table.
6. Check the temperature of both the supply and discharge water (Refer to Operating Parameters tables).
7. Check for an air temperature drop of 15°F to 25°F across the air coil, depending on the blower speed and entering water temperature.
8. Decrease the cooling set point several degrees and verify variable speed blower operation.
9. Adjust the cooling set point above the room temperature and verify that the compressor and water valve or loop pumps deactivate.
10. Initiate a control signal to place the unit in heating mode. Heating set point must be set above room temperature.
11. Heating will energize after a time delay.
12. Check the temperature of both the supply and discharge water (Refer to Unit Operating Parameters tables).
13. Check for an air temperature rise of 20°F to 35°F across the air coil, depending on the blower speed and entering water temperature.
14. If auxiliary electric heaters are installed, increase the heating set point until the electric heat banks are sequenced on. All stages of the auxiliary heater should be sequenced on when the thermostat is in the Emergency Heat mode. Check amperage of each element.
15. Adjust the heating set point below room temperature and verify that the compressor and water valve or loop pumps deactivate.
16. During the testing, check for excessive vibration, noise or water leaks. Correct or repair as required.
17. Set system to desired normal operation mode and set temperature to maintain desired comfort level.
18. Instruct the owner/operator in the proper operation of the thermostat and system maintenance.

**NOTE:** Be certain to fill out and forward all warranty registration papers.

## Refrigerant Removal and Evacuation

When breaking into the refrigerant circuit to make repairs – or for any other purpose conventional procedures shall be used. However, for flammable refrigerants it is important that best practice be followed, since flammability is a consideration. The following procedure shall be adhered to:

- safely remove refrigerant following local and national regulations;
- evacuate;
- purge the circuit with inert gas (optional for A2L);
- evacuate (optional for A2L);
- continuously flush or purge with inert gas when using flame to open circuit; and
- open the circuit.

The refrigerant charge shall be recovered into the correct recovery cylinders if venting is not allowed by local and national codes. For appliances containing flammable refrigerants, the system shall be purged with oxygen-free nitrogen to render the appliance safe for flammable refrigerants.

This process might need to be repeated several times. Compressed air or oxygen shall not be used for purging refrigerant systems. For appliances containing flammable refrigerants, refrigerants purging shall be achieved by breaking the vacuum in the system with oxygen-free nitrogen and continuing to fill until the working pressure is achieved, then venting to atmosphere, and finally pulling down to a vacuum (optional for A2L). This process shall be repeated until no refrigerant is within the system (optional for A2L). When the final oxygen-free nitrogen charge is used, the system shall be vented down to atmospheric pressure to enable work to take place. The outlet for the vacuum pump shall not be close to any potential ignition sources, and ventilation shall be available.

## Charging procedures

In addition to conventional charging procedures, the following requirements shall be followed.

- Ensure that contamination of different refrigerants does not occur when using charging equipment.
- Hoses or lines shall be as short as possible to minimise the amount of refrigerant contained in them.
- Cylinders shall be kept in an appropriate position according to the instructions.
- Ensure that the REFRIGERATING SYSTEM is earthed prior to charging the system with refrigerant.
- Label the system when charging is complete (if not already).
- Extreme care shall be taken not to overfill the REFRIGERATING SYSTEM.

Prior to recharging the system, it shall be pressure-tested with the appropriate purging gas. The system shall be leak-tested on completion of charging but prior to commissioning. A follow up leak test shall be carried out prior to leaving the site.

## Refrigerant Recovery

When removing refrigerant from a system, either for servicing or decommissioning, it is recommended good practice that all refrigerants are removed safely.

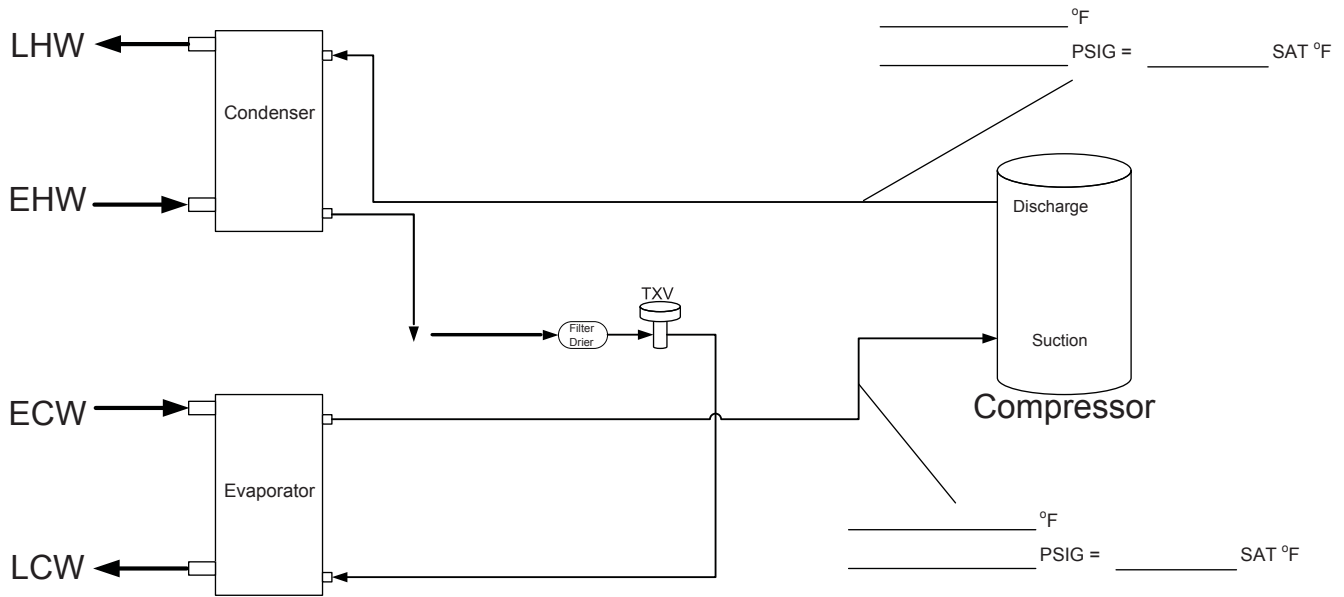
When transferring refrigerant into cylinders, ensure that only appropriate refrigerant recovery cylinders are employed. Ensure that the correct number of cylinders for holding the total system charge is available. All cylinders to be used are designated for the recovered refrigerant and labelled for that refrigerant (i.e. special cylinders for the recovery of refrigerant). Cylinders shall be complete with pressure-relief valve and associated shut-off valves in good working order. Empty recovery cylinders are evacuated and, if possible, cooled before recovery occurs.

The recovery equipment shall be in good working order with a set of instructions concerning the equipment that is at hand and shall be suitable for the recovery of the flammable refrigerant. If in doubt, the manufacturer should be consulted. In addition, a set of calibrated weighing scales shall be available and in good working order. Hoses shall be complete with leak-free disconnect couplings and in good condition.

The recovered refrigerant shall be processed according to local legislation in the correct recovery cylinder, and the relevant waste transfer note arranged. Do not mix refrigerants in recovery units and especially not in cylinders.

If compressors or compressor oils are to be removed, ensure that they have been evacuated to an acceptable level to make certain that flammable refrigerant does not remain within the lubricant. The compressor body shall not be heated by an open flame or other ignition sources to accelerate this process. When oil is drained from a system, it shall be carried out safely.

# Refrigeration Cycle Analysis



Unit Amp Draw \_\_\_\_\_  
 Line Voltage \_\_\_\_\_  
 Subcooling \_\_\_\_\_  
 Superheat \_\_\_\_\_

**Note:** Do not attach refrigerant gauges unless a problem is suspected!

Entering Hot Water	_____ °F
Entering Water Pressure	_____ PSIG
Leaving Hot Water	_____ °F
Leaving Water Pressure	_____ PSIG
Entering Chilled Water	_____ °F
Entering Water Pressure	_____ PSIG
Leaving Chilled Water	_____ °F
Leaving Water Pressure	_____ PSIG



# Revision Guide

<b>Pages:</b>	<b>Description:</b>	<b>Date:</b>	<b>By:</b>
All	Document Creation	01 Oct 2024	SW

# GEOSMART ENERGY



1-975 Bleams Road, Kitchener, ON N2E 3Z5, Canada | o: 1.866.310.6690 | f: 1.866.533.3889

[GEOSMARTENERGY.COM](http://GEOSMARTENERGY.COM)

Product: **Premium G Compact Series**  
Type: Premium Forced Air Geothermal Comfort System

Size: .75-6 Ton Single Stage  
2-6 Ton Two-Stage

Document Type: Installation Guide  
Ref. Number: IGV5-0006S  
Revision Date: 10/24  
Revision Number:  
Document Name:



# MANUEL D'INSTALLATION



60Hz / R-454B

**GEOSMART**  
ENERGY

IGV5-0006S

Informations générales sur l'installation.....	2
Détection et atténuation des fuites de réfrigérant .....	4
Plaque signalétique.....	6
Emplacement des supports de suspension.....	13
Qualité de l'eau .....	14
Raccords du générateur d'eau chaude.....	15
Raccords électriques .....	17
Données dimensionnelles .....	18
Données physiques .....	23
Rendement du ventilateur.....	25
Démarrage de l'unité .....	29
Retrait et évacuation du réfrigérant .....	30
Procédures de chargement.....	30
Récupération du réfrigérant .....	31
Analyse du cycle de réfrigération.....	32
Guide de révision .....	33

## AVERTISSEMENT

**AVERTISSEMENT : Avant d'effectuer toute opération d'entretien ou de maintenance du système, coupez l'alimentation principale de l'unité. La décharge électrique peut provoquer de graves blessures.**

**AVERTISSEMENT : Tous les produits sont conçus, testés et fabriqués dans le respect de l'édition la plus récente, publiée et disponible, de la norme UL 60335-2-40 relative à la certification de la sécurité électrique. Tous les raccords électriques doivent être conformes aux normes du code national de l'électricité (NEC) et/ou à tout autre code local applicable à l'installation.**

**AVERTISSEMENT : Seul le personnel autorisé par l'usine est habilité à procéder au démarrage, au test de vérification et à la mise en service de cette unité.**

**INSTALLATEUR : Veuillez prendre le temps de lire et de comprendre ces instructions avant toute installation. L'installateur est tenu de remettre une copie de ce manuel au propriétaire.**

### Définition des avertissements et des symboles

 <b>DANGER</b>	Indique une situation entraînant des blessures graves ou mortelles.
 <b>AVERTISSEMENT</b>	Indique une situation qui pourrait entraîner des blessures graves ou mortelles.
 <b>ATTENTION</b>	Indique une situation qui pourrait entraîner des blessures légères ou modérées.
<b>AVIS</b>	Indique une situation qui pourrait endommager l'équipement ou la propriété.

## Pour l'utilisateur

### AVERTISSEMENT

**Cet appareil ne doit pas être utilisé par des personnes (y compris les enfants) ayant des capacités physiques, sensorielles ou mentales réduites, ou n'ayant ni expérience ni compétence nécessaire, à moins que celles-ci ne bénéficient d'une surveillance ou d'instructions concernant l'utilisation de l'appareil de la part d'une personne responsable chargée de veiller à leur sécurité.**

**Les enfants doivent être sous surveillance afin de s'assurer qu'ils ne jouent pas avec l'appareil.**

**Gardez ce manuel dans un endroit sûr afin de permettre à votre technicien de disposer des informations nécessaires.**

## AVIS

**AVIS : Pour éviter d'endommager l'équipement, ne laissez pas le système rempli dans un bâtiment sans chauffage par temps froid, à moins de prévoir des niveaux d'antigel adéquats pour la protection contre le gel. En effet, les échangeurs de chaleur ne se vident pas complètement et gèlent s'ils ne sont pas protégés, ce qui peut entraîner des dommages permanents.**



All Premium G Series models are safety listed under UL 60335-2-40 through ETL, and performance listed with AHRI in accordance with ASHRAE/ANSI/AHRI/ISO Standard 13256-1.

## Informations générales sur l'installation

**AVIS : N'installez pas les unités dans un environnement corrosif ou dans des endroits soumis à des températures extrêmes ou à l'humidité élevée. Les conditions corrosives et des températures extrêmes ou à l'humidité élevée peuvent réduire de manière significative le rendement, la fiabilité et la durée de vie de l'appareil.**

**AVIS : Il doit y avoir un espace libre minimal de 61 cm (24 po) pour accéder au panneau d'accès avant.**

**AVIS : Pour éviter d'endommager le matériel, N'UTILISEZ PAS ces unités comme source de chauffage ou de refroidissement pendant le processus de construction. Les composants mécaniques et les filtres peuvent rapidement être obstrués par la saleté et les débris de construction, ce qui peut endommager le système et annuler la garantie du produit.**

### Pour l'installateur

Si vous n'êtes PAS certain de savoir comment installer ou faire fonctionner l'unité, contactez votre fournisseur.

L'installation et l'entretien des appareils de climatisation et de chauffage peuvent être dangereux en raison de la pression du système et des composants électriques. Seul un personnel formé et qualifié est habilité à procéder à l'installation, à la réparation ou à l'entretien des appareils de chauffage et de climatisation. Lors d'une intervention sur un appareil de chauffage ou de climatisation, veillez à respecter les précautions indiquées dans la documentation, les étiquettes apposées sur l'appareil et les autres mesures de sécurité éventuellement applicables.

Ce manuel contient des informations spécifiques sur la qualification requise du personnel pour les opérations de maintenance, d'entretien et de réparation. Toute procédure de travail touchant les moyens de sécurité ne doit être effectuée que par des personnes compétentes.

Voici quelques exemples de ces procédures de travail :

- Ouvrir le circuit frigorifique.
- Ouvrir des composants scellés ou des boîtiers ventilés.

Respectez tous les codes de sécurité. Portez des lunettes de sécurité et des gants de travail. Utilisez un chiffon mouillé pour toute opération de brasage. Ayez un extincteur à disposition pour toute opération de brasage. Suivez toutes les procédures pour rester en conformité avec les réglementations nationales relatives aux gaz.

Avant de commencer à travailler sur des systèmes contenant des RÉFRIGÉRANTS INFLAMMABLES, des contrôles de sécurité sont nécessaires pour s'assurer que le risque d'inflammation est minimisé. Les travaux doivent être entrepris selon une procédure contrôlée de manière à minimiser le risque de présence de gaz ou de vapeur inflammable pendant l'exécution des travaux. Le personnel de maintenance et les autres personnes travaillant dans la zone locale doivent être informés de la nature des travaux effectués. Les travaux dans des espaces confinés doivent être évités.

La zone doit être contrôlée à l'aide d'un détecteur de réfrigérant approprié avant et pendant le travail, afin de s'assurer que le technicien est conscient de la présence d'atmosphères potentiellement toxiques ou inflammables. Assurez-vous que le matériel de détection des fuites utilisé convient à une utilisation avec tous les réfrigérants applicables, c'est-à-dire qu'il ne projette pas d'étincelles, qu'il est correctement scellé et intrinsèquement sûr.

Si des travaux à chaud doivent être effectués sur le matériel de réfrigération ou toute pièce associée, un matériel d'extinction d'incendie approprié doit être à portée de main. Gardez un extincteur à poudre sèche ou à CO<sub>2</sub> à proximité de la zone de chargement.

Aucune personne effectuant des travaux sur un SYSTÈME FRIGORIFIQUE impliquant l'exposition d'une tuyauterie ne doit utiliser des sources d'inflammation de manière à présenter un risque d'incendie ou d'explosion. Toutes les sources d'inflammation possibles, y compris l'usage de la cigarette, doivent être maintenues suffisamment loin du site d'installation, de réparation, de retrait et d'élimination, lorsque du réfrigérant peut éventuellement être libéré dans l'espace environnant. Avant de commencer le travail, la zone autour du matériel doit être inspectée pour s'assurer qu'il n'y a pas de risques d'inflammation. Des panneaux « Interdiction de fumer » doivent être affichés.

Lorsque des composants électriques sont remplacés, ils doivent convenir à l'usage prévu et aux spécifications. Les directives d'entretien et de maintenance du fabricant doivent être respectées en tout temps. En cas de doute, consultez le service du soutien technique du fabricant pour obtenir de l'aide.

Les contrôles suivants doivent être appliqués aux installations utilisant des RÉFRIGÉRANTS INFLAMMABLES :

- la CHARGE RÉELLE DE FRIGORIGÈNE est conforme à la taille de la salle dans laquelle les pièces contenant le réfrigérant sont installées;
- le matériel et les sorties de ventilation fonctionnent correctement et ne sont pas obstrués;
- si un circuit frigorifique indirect est utilisé, le circuit secondaire doit être contrôlé pour vérifier la présence de réfrigérant;
- les mentions du matériel demeurent visibles et lisibles. Les mentions et signes illisibles doivent être corrigés;
- les tuyaux ou composants de refroidissement sont installés dans un endroit où ils ne risquent pas d'être exposés à une substance susceptible de corroder les composants contenant du réfrigérant, à moins que les composants ne soient construits en matériaux intrinsèquement résistants à la corrosion ou convenablement protégés contre cette corrosion.

### Instructions pour le matériel utilisant le réfrigérant R-454B

#### AVERTISSEMENT

- **Ne percez ou ne brûlez PAS.**
- **N'utilisez PAS d'autres moyens que ceux recommandés par le fabricant pour accélérer le processus de dégivrage ou pour nettoyer le matériel.**
- **Sachez que les réfrigérants pourraient être inodores.**

#### AVERTISSEMENT

- **L'appareil doit être entreposé de manière à prévenir les dommages mécaniques et dans une pièce où il n'y a pas de sources d'inflammation en continu (p. ex., des flammes nues, un appareil au gaz ou un appareil de chauffage électrique en marche).**

## Informations générales sur l'installation

### AVERTISSEMENT

**Zone ventilée : Assurez-vous que la zone est à découvert ou qu'elle est correctement ventilée avant d'intervenir dans le système ou de réaliser tout travail à chaud. Un certain degré de ventilation devrait continuer pendant la période pendant laquelle le travail est effectué. La ventilation doit disperser en toute sécurité le réfrigérant libéré et l'expulser de préférence. Maintenez la zone de ventilation dégagée!**

### AVERTISSEMENT

**N'UTILISEZ PAS de sources potentielles d'inflammation pour rechercher ou détecter des fuites de réfrigérant. Il ne faut pas utiliser de lampe haloïde (ou tout autre détecteur utilisant une flamme nue).**

Les méthodes de détection de fuites suivantes sont jugées acceptables pour tous les systèmes frigorifiques. Des détecteurs électroniques de fuites peuvent être utilisés pour détecter les fuites de réfrigérant, mais dans le cas de RÉFRIGÉRANTS INFLAMMABLES, la sensibilité pourrait ne pas être adéquate ou nécessiter un nouvel étalonnage. (Le matériel de détection doit être étalonné dans une zone exempte de réfrigérant.) Assurez-vous que le détecteur n'est pas une source potentielle d'inflammation et qu'il convient au réfrigérant utilisé. Le matériel de détection de fuites doit être réglé à un pourcentage de la LII du réfrigérant et doit être étalonné en fonction du réfrigérant utilisé, et le pourcentage approprié de gaz (25 % maximum) doit être confirmé. Les liquides de détection de fuites peuvent également être utilisés avec la plupart des réfrigérants, mais l'utilisation de détergents contenant du chlore doit être évitée parce que le chlore peut réagir avec le réfrigérant et corroder la tuyauterie en cuivre. REMARQUE : Les exemples de liquides de détection de fuites sont la méthode des bulles, les agents de la méthode fluorescente si une fuite est suspectée, les flammes nues doivent être enlevées/éteintes. En cas de fuite de réfrigérant nécessitant une soudure, tout le réfrigérant doit être récupéré du système ou isolé (au moyen de vannes d'isolement) dans une partie du système éloignée de la fuite. Le retrait du réfrigérant doit suivre la procédure décrite dans ce manuel.

## Site d'installation

L'altitude maximale de cet équipement ne doit pas dépasser 3 000 m (9 843 pi) et ne doit pas être installé à une altitude supérieure. Il doit être uniquement installé dans des endroits interdits d'accès au public.

### AVERTISSEMENT

**Pour les appareils utilisant des réfrigérants A2L reliés par un réseau de conduits d'air à une ou plusieurs salles, seuls les dispositifs auxiliaires approuvés par le fabricant de l'appareil ou déclarés appropriés au réfrigérant doivent être installés dans le réseau de gaines relié. Le fabricant doit lister dans les instructions tous les dispositifs auxiliaires approuvés par fabricant et le numéro de modèle à utiliser avec l'appareil spécifique si ces dispositifs sont susceptibles de devenir une source d'inflammation.**

## Espace d'installation requis

REMARQUE : Le matériel dont la charge de réfrigérant est inférieure à 1,89 L (62 oz) n'exige pas une surface de plancher minimale et ne nécessite pas de capteur de détection de fuite de réfrigérant.

Le capteur peut être ajouté en tant que fonctionnalité.

### AVERTISSEMENT

**Le matériel contenant du réfrigérant R-454B doit être installé, utilisé et entreposé dans une salle dont la surface de plancher est plus grande que la surface définie dans le tableau « Surface de plancher minimale » en fonction de la charge totale de réfrigérant dans le système. Cette exigence s'applique aux équipements intérieurs avec ou sans capteur de fuite de réfrigérant installé en usine.**

### ATTENTION

**Cet équipement nécessite des raccordements à une source d'alimentation en eau. Voir la section « Recommandations pour la qualité de l'eau » de ce manuel pour plus d'informations sur la qualité de l'eau requise pour cette opération. Si une source d'eau potable est utilisée pour l'alimentation en eau de cet appareil, la source d'alimentation en eau doit être protégée contre le siphonnement à rebours par l'équipement.**

### AVERTISSEMENT

**Ce matériel est livré avec un dispositif de détection de réfrigérant installé en usine qui est capable de déterminer sa fin de vie utile spécifiée et les instructions de remplacement. Les capteurs de réfrigérant des systèmes de détection de réfrigérant ne doivent être remplacés que par des capteurs spécifiés par le fabricant de l'appareil.**

### AVERTISSEMENT

**Prenez les précautions suffisantes en cas de fuite de réfrigérant. En cas de fuite de gaz réfrigérant, ventilez immédiatement la zone. RISQUES POSSIBLES : Des concentrations excessives de réfrigérant dans une salle fermée peuvent entraîner un manque d'oxygène.**

### AVERTISSEMENT

**Récupérez TOUJOURS le réfrigérant. NE LE REJETEZ PAS directement dans l'environnement. Suivez minutieusement les instructions de manipulation conformément aux réglementations nationales.**

## Informations générales sur l'installation : Détection et atténuation des fuites de réfrigérant

### AVERTISSEMENT

Assurez-vous que le câblage ne sera pas soumis à l'usure, à la corrosion, à une pression excessive, à des vibrations, à des bords tranchants ou à tout autre effet nocif de l'environnement. La vérification doit également tenir compte des effets du vieillissement ou des vibrations continues provenant de sources telles que les compresseurs ou les ventilateurs.

### Détermination de la superficie minimale du plancher

Déterminez la charge totale de réfrigérant dans le système.

Dans les systèmes emballés de thermopompes, la charge de l'usine doit correspondre à la charge totale du système et il ne devrait y avoir aucune raison d'ajouter de la charge sur le terrain. La plaque signalétique et le tableau des données physiques du matériel doivent servir de référence pour la charge totale. Les thermopompes dont la charge de réfrigérant est de 1,81 L (62 oz) ou plus sont équipées d'un système d'atténuation de réfrigérant installé en usine.

L'équipement de la thermopompe est muni de conduits et utilise le ventilateur pour atténuer les fuites. Une fois que le capteur de fuite de réfrigérant détecte une fuite, le compresseur et le chauffage électrique sont désactivés, et le ventilateur fonctionne en mode de ventilation continue. Cela se produira pendant au moins cinq minutes et une alarme de commande se poursuivra jusqu'à ce que le capteur ne détecte plus de fuite.

La surface minimale d'installation de l'unité,  $S_{\min}$ , est basée sur la charge de réfrigérant et la hauteur d'installation de l'unité, comme indiqué dans le tableau ci-dessous. Puisque cette thermopompe est munie de conduits et utilise le ventilateur pour atténuer les fuites, la surface de plancher zoné ou avec conduits doit être supérieure à  $TA_{\min}$  indiquée dans le tableau ci-dessous. Si la thermopompe est zonée, les amortisseurs doivent s'ouvrir pour permettre au ventilateur de la thermopompe d'atténuer la fuite de réfrigérant. La vitesse du ventilateur en mode continu doit être réglée au-dessus de  $Q_{\min}$ , comme indiqué dans le tableau ci-dessous. Le réglage du ventilateur en mode continu est un réglage d'usine pour dépasser le débit d'air minimal requis pour l'atténuation.

$H_{\text{alte}}$		FC
m	pi	
0	0	1,00
200	656	1,00
400	1312	1,00
600	1 968	1,00
800	2 624	1,02
1 000	3 280	1,05
1 200	3 937	1,07
1 400	4 593	1,10
1 600	5 249	1,12
1 800	5 905	1,15
2 000	6 561	1,18
2 200	7 217	1,21
2 400	7 874	1,25
2 600	8 530	1,28
2 800	9 186	1,32
3 000	9 842	1,36
3 200	Non recommandé	

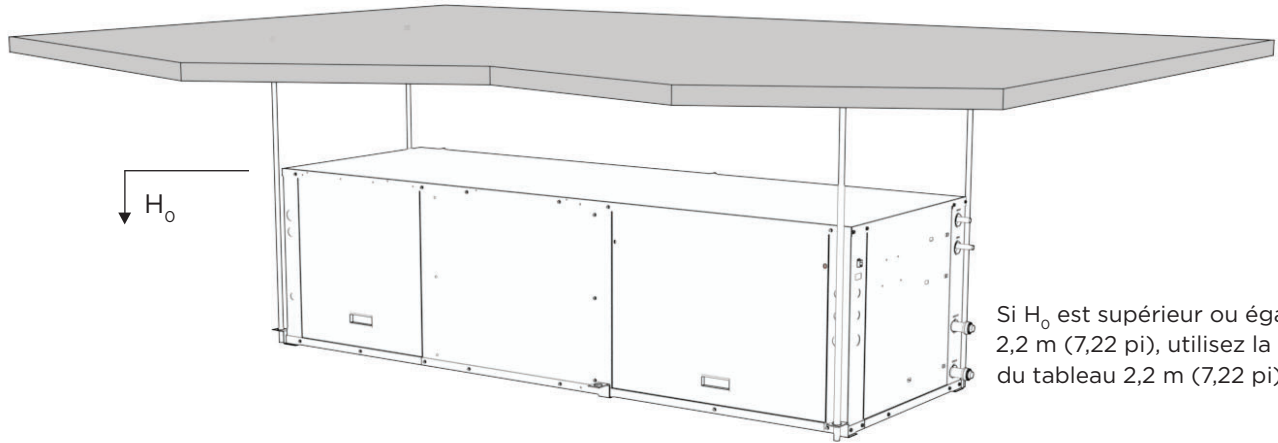
Lorsque l'emplacement de l'installation est situé au-dessus de 600 m (1 969 pi), le facteur de réglage de l'altitude dans le tableau est nécessaire pour calculer la taille minimale de la pièce.

Exemple : si vous installez une unité verticale O60. Si votre altitude est de 1 600 m (5 249 pi), votre facteur de superficie serait de 1,12. Si le poids de votre charge est de 2,154 kg (76 oz) à une installation à hauteur de plancher. La  $S_{\min}$  aurait une superficie de 11,9 m<sup>2</sup> (127 pi<sup>2</sup>). Prenez 113,4 pi<sup>2</sup> x 1,12 pour une nouvelle  $S_{\min}$  de 11,9 m<sup>2</sup> (127 pi<sup>2</sup>).

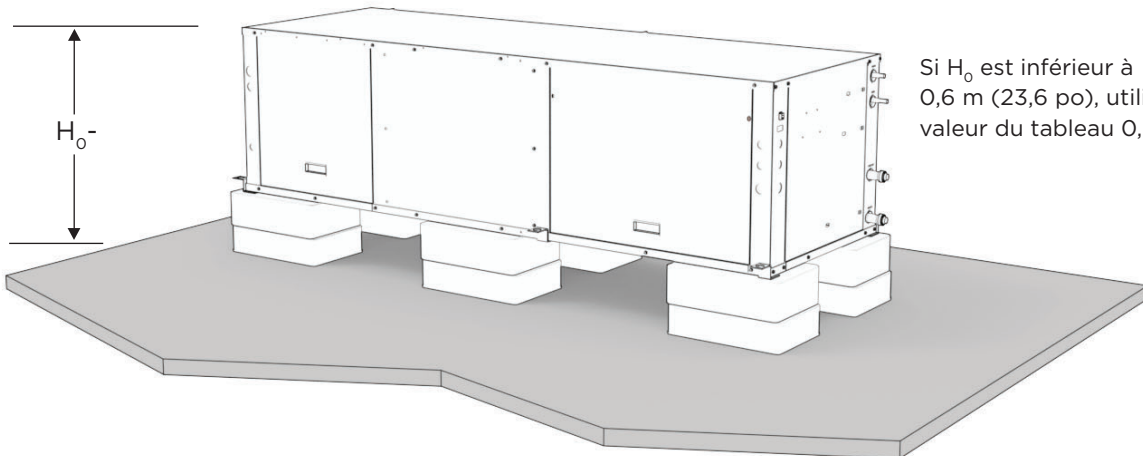
## Informations générales sur l'installation : Détection et atténuation des fuites de réfrigérant

Model	Configuration	H <sub>o</sub>			Charge		A <sub>min</sub>		Q <sub>min</sub>		TA <sub>min</sub>	
		in	ft	m	lbm	oz	ft2	m2	cfm	m3/h	ft2	m2
<b>060 Single Stage</b>	Vertical	106.6	8.9	2.7	4.6	74	56.4	5.2	125.1	212.6	69.4	6.4
<b>060 Two Stage</b>	Vertical	106.6	8.9	2.7	4.8	76	57.9	5.4	128.5	218.4	71.2	6.6
<b>072 Single Stage</b>	Vertical	106.6	8.9	2.7	6.3	100	76.1	7.1	169	287.3	93.7	8.7
<b>072 Two Stage</b>	Vertical	106.6	8.9	2.7	6.5	104	79.2	7.4	175.8	298.8	97.5	9.1
<b>048 Single Stage</b>	Horizontal Floor	23.6	2	0.6	4.3	68	37.3	34.6	114.9	195.4	63.7	5.9
	Horizontal Floor +2 Ft	47.6	4	1.2	4.3	68	115.9	10.8	114.9	195.4	63.7	5.9
	Horizontal Floor +4 ft	71.6	6	1.8	4.3	68	77.1	7.2	114.9	195.4	63.7	5.9
	Horizontal Suspended	86.6	7.2	2.2	4.3	68	63.7	5.9	114.9	195.4	63.7	5.9
<b>048 Two Stage</b>	Horizontal Floor	23.6	2	0.6	4.5	72	418.1	38.8	121.7	206.9	67.5	6.3
	Horizontal Floor +2 Ft	47.6	4	1.2	4.5	72	122.7	11.4	121.7	206.9	67.5	6.3
	Horizontal Floor +4 ft	71.6	6	1.8	4.5	72	81.6	7.6	121.7	206.9	67.5	6.3
	Horizontal Suspended	86.6	7.2	2.2	4.5	72	67.5	6.3	121.7	206.9	67.5	6.3
<b>060 Single Stage</b>	Horizontal Floor	23.6	2	0.6	4.6	74	441.7	41	125.1	212.6	69.4	6.4
	Horizontal Floor +2 Ft	47.6	4	1.2	4.6	74	126.1	11.7	125.1	212.6	69.4	6.4
	Horizontal Floor +4 ft	71.6	6	1.8	4.6	74	83.9	7.8	125.1	212.6	69.4	6.4
	Horizontal Suspended	86.6	7.2	2.2	4.6	74	69.4	6.4	125.1	212.6	69.4	6.4
<b>060 Two Stage</b>	Horizontal Floor	23.6	2	0.6	5.3	84	569.1	52.9	142	241.4	78.7	7.3
	Horizontal Floor +2 Ft	47.6	4	1.2	5.3	84	143.2	13.3	142	241.4	78.7	7.3
	Horizontal Floor +4 ft	71.6	6	1.8	5.3	84	95.2	8.8	142	241.4	78.7	7.3
	Horizontal Suspended	86.6	7.2	2.2	5.3	84	78.7	7.3	142	241.4	78.7	7.3
<b>072 Single and Two Stage</b>	Horizontal Floor	23.6	2	0.6	6.5	104	872.4	81	175.8	298.8	97.5	9.1
	Horizontal Floor +2 Ft	47.6	4	1.2	6.5	104	214.7	19.9	175.8	298.8	97.5	9.1
	Horizontal Floor +4 ft	71.6	6	1.8	6.5	104	117.9	11	175.8	298.8	97.5	9.1
	Horizontal Suspended	86.6	7.2	2.2	6.5	104	97.5	9.1	175.8	298.8	97.5	9.1

## Informations générales sur l'installation : Détection et atténuation des fuites de réfrigérant



Si  $H_0$  est supérieur ou égal à 2,2 m (7,22 pi), utilisez la valeur du tableau 2,2 m (7,22 pi).




Si  $H_0$  est inférieur à 0,6 m (23,6 po), utilisez la valeur du tableau 0,6 m (23,6 po).

Si  $H_0$  se situe entre ces valeurs, utilisez le tableau pour calculer  $S_{\min}$ .



# Plaque signalétique

Unit Nomenclature and Serial Number	<b>MODEL:</b> _____ <b>JOB #:</b> _____	<b>S/N:</b> 999999999 Manufactured Fort Wayne, Indiana USA							
Unit Voltage	<b>Electrical Service</b>								
	VAC/PHASE	Hz	FLA	MIN CIRCUIT AMPS	MIN/MAX VAC				
Fuse/Breaker Size	<b>Short-Circuit Current</b>			<b>Fuse Circuit Breaker Size</b>					
	kA Symmetrical	0	Max Fuse Time Delay	US Max HACR	Canada Max				
	V Maximum	0							
Component Electrical Information	<b>Other Data</b>								
	Component	Qty	LRA	RLA/MRC	FLA	VAC	PH	HP	KW
Unit Restrictions	Min. distance to combustible surface (in/cm)					/			
	Max. outlet air temperature (F/C)					/			
	Max. external static pressure (in water/Pa)					/			
	Max. inlet water temperature (F/C)					/			
	Max. inlet water pressure (in water/Pa)					/			
Auxillary Heater Kit Electrical Installation	CK BOX	Heater Model	Supply Circuit	KW	Min CIR AMP	Max Fuse	Max BRKR		
	Mark heater installed with "X" in check box. For actual heater rating, see marking inside of unit.			Cocher "X" pour indiquer le modele installe pour les caracteristiques nominales des unites de chauffe voir le marquage a l'interieur.					
Unit Comments	<b>Comments</b>								
Installation Requirements	Warning:								
	Floor area for storage or operation must meet the minimum requirements shown.								
	Minimum room area (operating or storage)	0 ft2	0 m2						
	Minimum installation height	0 ft	0 m						
	Note: For Minimum room areas at higher installation heights, see installation and operation manual.								
	"For Installation Only in Locations Not Accessible to the General Public"								
Refrigerant Type and Charge Amount	MRC=Maximum Rated Current (only applicable for variable speed compressors/drives)								
	Maximum allowable refrigerant pressure = PSIG/Mpa: /								
	Refrigerant Type	Refrigerant Charge/Circuit	Design Pressure						
	R-454B	OZ kg	psi	Mpa					
			High:						
			Low:						



## Informations générales sur l'installation

### Considérations de sécurité

**AVERTISSEMENT : Avant d'effectuer toute opération d'entretien ou de maintenance d'un système, coupez l'alimentation principale de l'unité intérieure. S'il y a lieu, éteignez l'interrupteur d'alimentation de la chaufferette accessoire. La décharge électrique peut provoquer des blessures.**

L'installation et l'entretien des appareils de chauffage et de climatisation peuvent être dangereux en raison de la pression du système et des composants électriques. Seul un personnel formé et qualifié est habilité à procéder à l'installation, à la réparation ou à l'entretien des appareils de chauffage et de climatisation. Le personnel non formé peut effectuer les opérations d'entretien de base du nettoyage des bobines et du nettoyage et du remplacement des filtres. Toutes les autres opérations doivent être effectuées par du personnel d'entretien qualifié. Lors d'une intervention sur un appareil de chauffage ou de climatisation, veillez à respecter les précautions indiquées dans la documentation, les étiquettes apposées sur l'appareil et les autres mesures de sécurité éventuellement applicables.

Respectez tous les codes de sécurité. Portez des lunettes de sécurité et des gants de travail. Utilisez un chiffon mouillé pour toute opération de brasage et ayez un extincteur à disposition.

### Déplacement et stockage

Déplacez les unités dans l'orientation normale « vers le haut ». Les unités horizontales peuvent être déplacées et entreposées conformément aux renseignements figurant sur l'emballage. N'empilez pas plus de trois unités en hauteur totale. Les unités verticales peuvent être entreposées l'une sur l'autre jusqu'à une hauteur maximale de deux unités. Ne tentez pas de déplacer les unités lorsqu'elles sont empilées. Lors de la réception du matériel, tous les articles doivent être soigneusement vérifiés par rapport au connaissance afin de s'assurer que toutes les caisses et tous les cartons ont été reçus. Examinez les unités pour déceler les dommages causés par l'expédition et retirez-les de l'emballage au besoin. Les unités en question devraient également faire l'objet d'une inspection interne. Si des dommages sont constatés, le transporteur doit l'indiquer sur le bordereau de livraison.

### Emplacement de l'unité

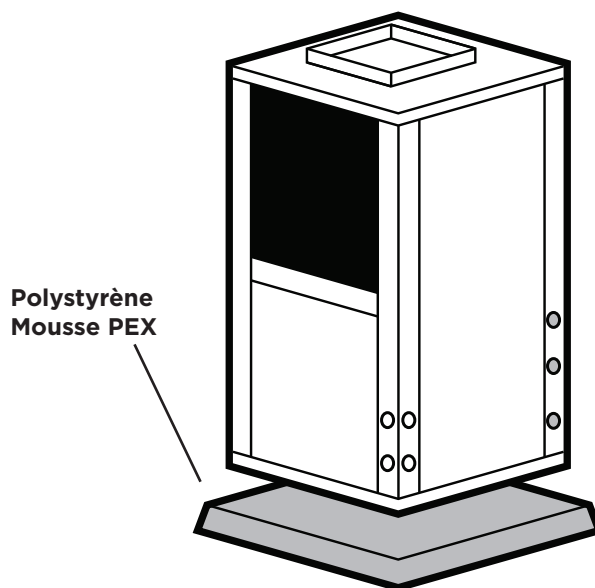
Placez l'appareil dans un endroit intérieur qui permet d'enlever facilement le filtre et les panneaux d'accès. L'emplacement doit avoir suffisamment d'espace pour que le personnel d'entretien puisse effectuer l'entretien ou les réparations. Prévoyez suffisamment d'espace pour faire des raccordements d'eau, d'électricité et de conduits. Si l'appareil est situé dans un espace confiné, comme un placard, des dispositions doivent être prises pour que le retour d'air pénètre librement dans l'espace au moyen d'une porte à volets, etc. Les vis de panneau d'accès qui seraient difficiles à enlever après l'installation de l'appareil doivent être enlevées avant de l'installer. Sur les appareils horizontaux, laissez suffisamment d'espace sous l'appareil pour accueillir un siphon de condensat et ne placez pas l'appareil au-dessus de la tuyauterie d'alimentation. **Lorsque les unités se trouvent dans des espaces non climatisés, il faut prendre soin d'éviter d'endommager les conduites d'eau gelées et d'empêcher une chaleur excessive qui pourrait endommager les composants électriques.**

### Installation d'unités verticales

Avant de mettre l'appareil en place, retirez et jetez le boulon de fixation du compresseur situé à l'avant du support de fixation du compresseur.

Les unités verticales sont offertes avec une configuration de retour d'air à gauche ou à droite. Les unités verticales de flux supérieur devraient être montées de niveau sur un coussin absorbant les vibrations légèrement plus grand que la base pour assurer l'isolation entre l'unité et le plancher. Il n'est pas nécessaire d'ancrer l'appareil au plancher (voir la figure ci-dessous).

**Montage de l'unité verticale**



## Informations générales sur l'installation

### Installation type de l'unité

#### Emplacement de l'unité

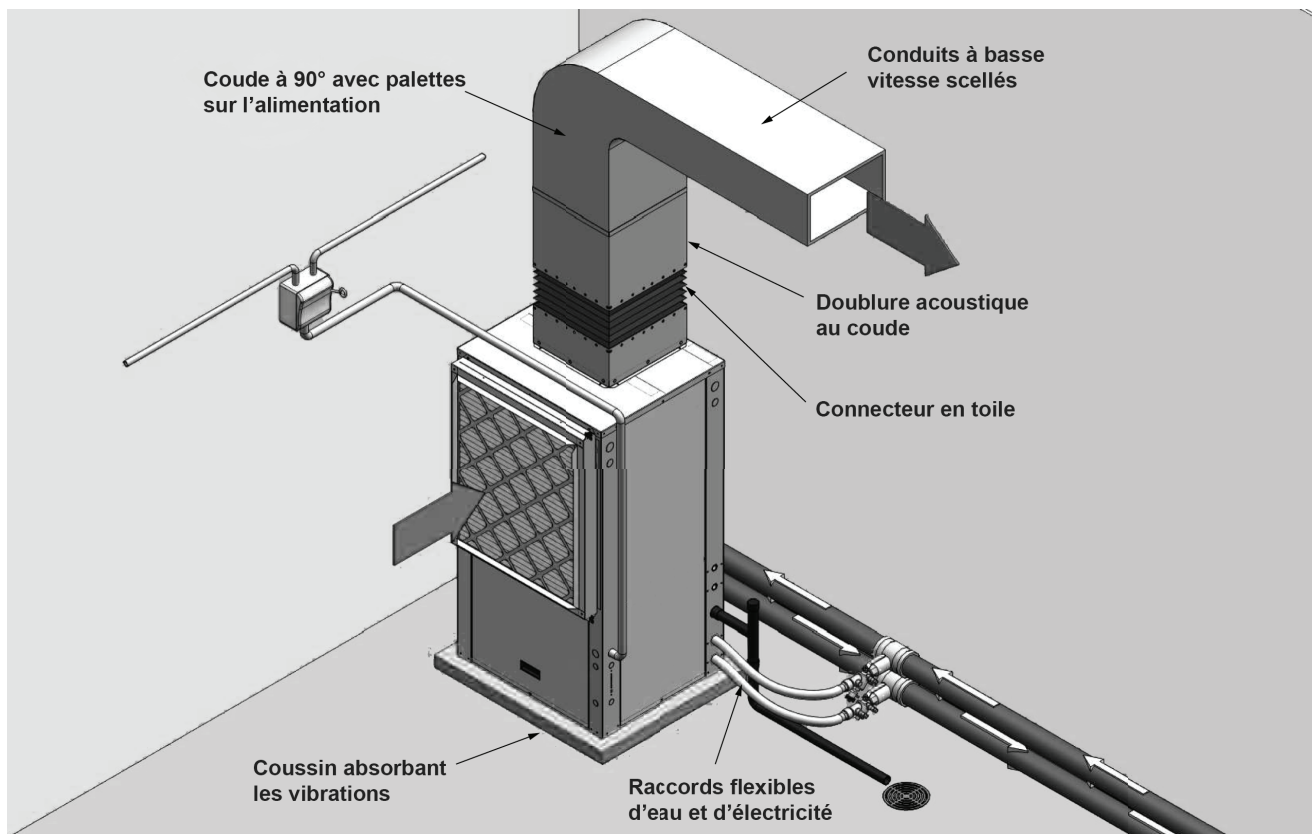
Placez l'appareil dans un endroit intérieur qui permet d'enlever facilement le filtre et les panneaux d'accès. L'emplacement doit avoir suffisamment d'espace pour que le personnel d'entretien puisse effectuer l'entretien ou les réparations. Prévoyez suffisamment d'espace pour faire des raccordements d'eau, d'électricité et de conduits. Si l'appareil est situé dans un espace confiné, comme un placard, des dispositions doivent être prises pour que le retour d'air pénètre librement dans l'espace au moyen d'une porte à volets, etc. Les vis de panneau d'accès qui seraient difficiles à enlever après l'installation de l'appareil doivent être enlevées avant de l'installer. Sur les appareils horizontaux, laissez suffisamment d'espace sous l'appareil pour accueillir un siphon de condensat et ne placez pas l'appareil au-dessus de la tuyauterie d'alimentation. Lorsque les unités se trouvent dans des espaces non climatisés, il faut prendre soin d'éviter d'endommager les conduites d'eau gelées et d'empêcher une chaleur excessive qui pourrait endommager les composants électriques.

#### Tuyauterie d'eau

La tuyauterie est habituellement conçue comme un « retour inversé » pour équilibrer les voies de débit dans chaque unité. Un court

tuyau flexible de pression est utilisé pour raccorder le système de tuyauterie fixe du bâtiment. Ce tuyau est généralement tressé et en acier inoxydable, comprend un raccord pivotant à une extrémité pour faciliter le retrait et est flexible pour aider à isoler l'unité en vue d'un fonctionnement plus silencieux. Des robinets d'isolement pour l'entretien, des crépines en Y pour le filtrage et la soupape de débit d'arrêt de mémoire ou une soupape d'équilibrage peuvent être fournis pour assurer un débit d'eau constant dans l'unité.

Tous les raccords d'eau de source de l'unité acceptent un filetage mâle (MPT). Insérez les raccords à la main, puis serrez le raccord avec une clé pour obtenir un joint étanche. Le système de tuyauterie en boucle ouverte et fermée devrait comprendre des orifices de pression et de température pour assurer l'entretien. Le bon débit d'eau doit être fourni à chaque unité chaque fois que celle-ci fonctionne. Pour assurer un débit adéquat, utilisez des orifices de pression et de température pour déterminer le débit. Ces orifices devraient être situés aux raccordements d'alimentation et de retour d'eau de l'appareil. Le bon débit ne peut pas être réglé avec précision sans mesurer la chute de pression d'eau dans l'échangeur de chaleur de réfrigérant-eau. N'utilisez jamais de tuyaux flexibles plus petits que le diamètre intérieur du raccord d'eau de l'unité. Limitez la longueur du boyau à 3,1 m (10 pi) par raccord. Vérifiez soigneusement s'il y a des fuites d'eau.



## Informations sur l'installation (suite)

### Installation d'unités horizontales

Enlevez et jetez le boulon d'expédition de maintien du compresseur situé à l'avant du support de fixation du compresseur avant de mettre l'appareil en place. Les unités horizontales sont disponibles avec évacuation latérale ou d'extrémité.

**REMARQUE :** Les unités horizontales sont normalement suspendues au plafond par quatre (modèles 009-060) ou cinq (modèles 070-072) tiges filetées de 9,53 mm (3/8 po) de diamètre. Les tiges sont généralement fixées à l'unité par des trousseaux de supports de suspension fournis avec chaque unité.

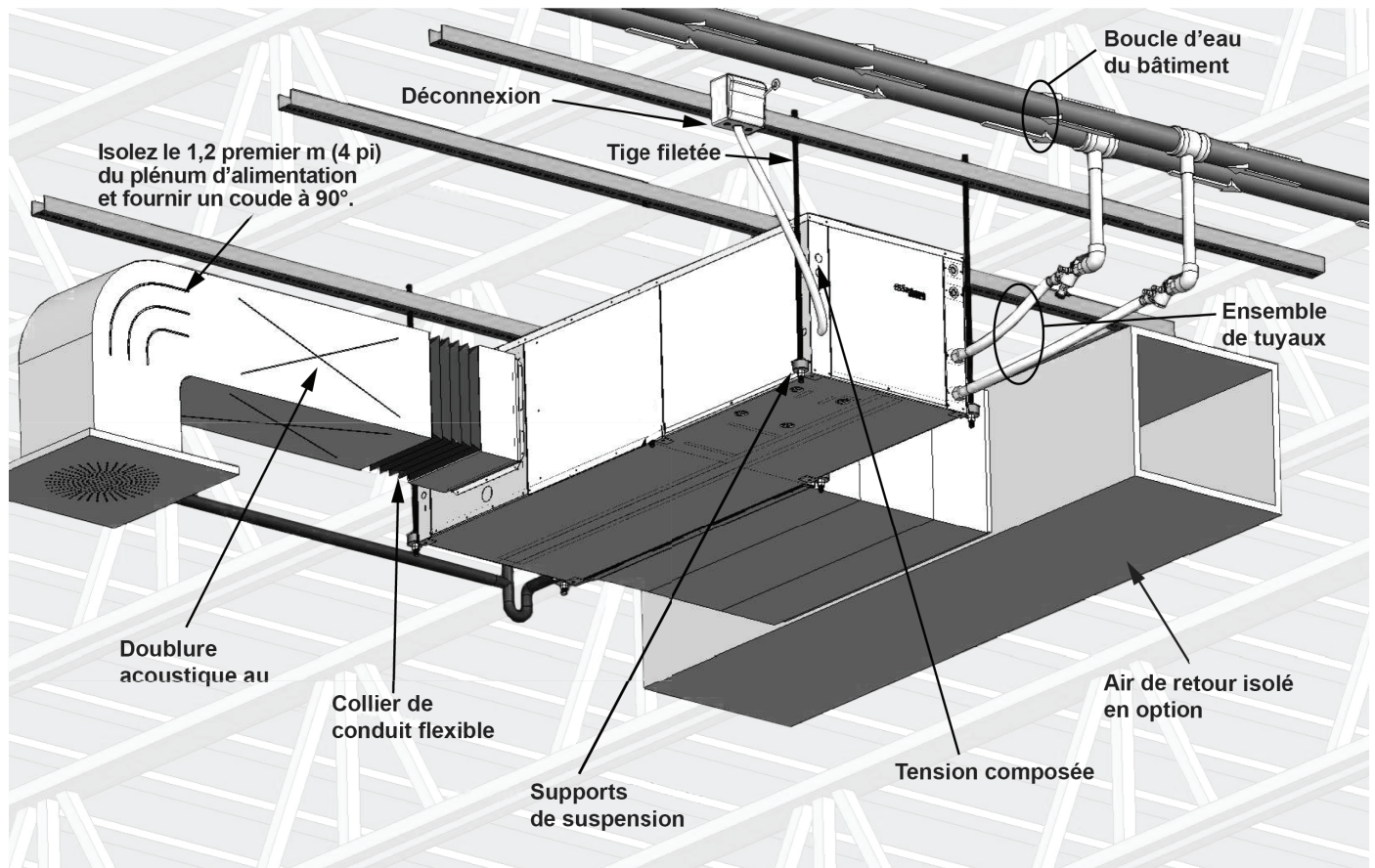
Disposez les tiges filetées selon le tableau des dimensions des supports de suspension. Assemblez les crochets de suspension sur l'unité tel que démontré. Serrez solidement les supports à l'unité à l'aide des écrous à souder situés au-dessous du panneau inférieur. Lors de la fixation des tiges de suspension au support, un écrou double est requis puisque la vibration pourrait desserrer un écrou simple. Pour permettre l'accès au filtre, installez les supports de suspension comme il est illustré à la section Emplacement des supports de suspension. L'appareil doit être incliné d'environ 6,35 mm (1/4 po) vers le drain dans

les deux sens pour faciliter l'élimination du condensat. Utilisez uniquement les boulons fournis dans la trousse pour fixer les supports de suspension. L'utilisation de boulons plus longs pourrait endommager les pièces internes.

Certaines applications nécessitent l'installation d'unités horizontales sur un plancher de grenier. Dans ce cas, l'appareil doit être placé dans un bac de récupération secondaire pleine grandeur sur un coussin absorbant les vibrations. Le bac de récupération secondaire empêche le débordement de condensat ou les dommages causés par les fuites d'eau au plafond. Le bac de récupération secondaire est généralement placé sur une base en contreplaqué isolée des solives du plafond à l'aide de couches supplémentaires de matériau absorbant les vibrations.



**ATTENTION : N'utilisez pas de tiges de diamètre inférieur à 9,53 mm (3/8 po), car elles pourraient ne pas être assez résistantes pour soutenir l'appareil. Les tiges doivent être solidement ancrées au plafond.**



## Informations sur l'installation (suite)

### Considérations acoustiques et performance sonore de l'équipement

#### Performance sonore

Cette unité est dotée d'une cote acoustique de tiers conformément à la norme ARI 260. Veuillez consulter le catalogue des données sur la performance sonore du fabricant pour obtenir des détails sur la norme AHRI et les données sur la performance sonore.

#### Recommandations pour la réduction du bruit

##### Emplacement horizontal de l'unité

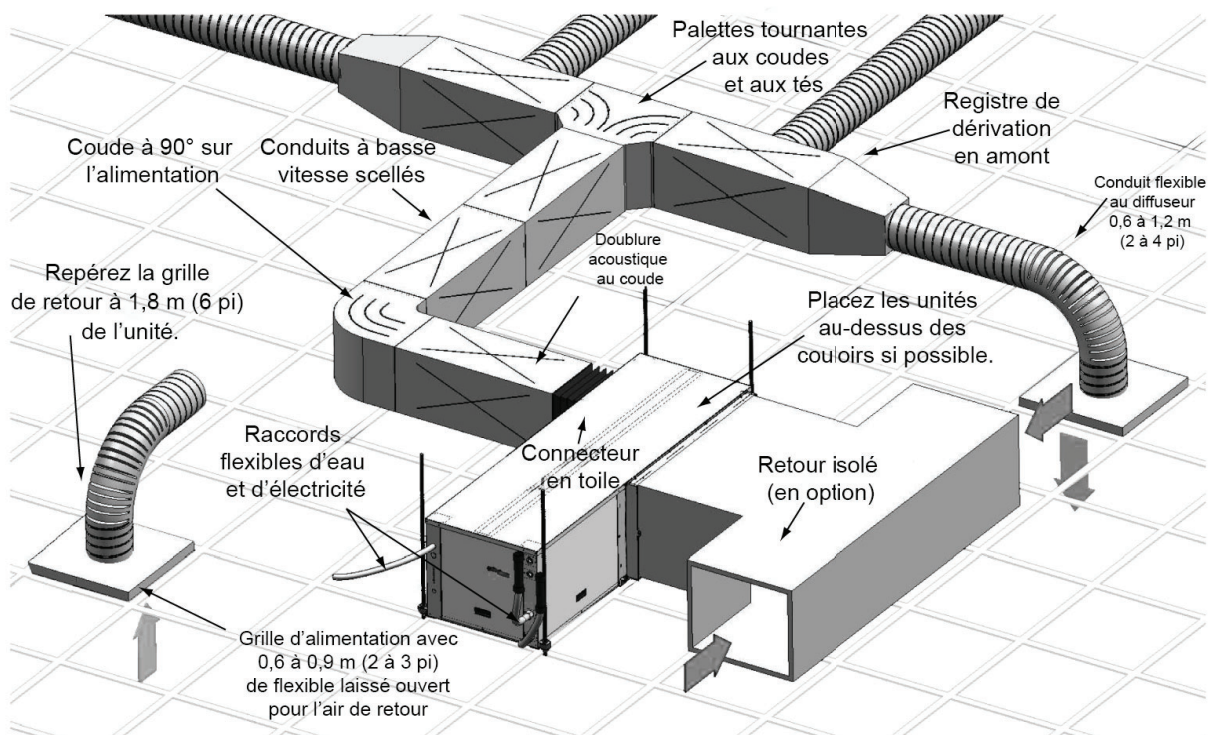
- Spécifiez l'équipement dont la puissance acoustique est la plus faible.
- Ne placez pas les unités au-dessus de zones qui nécessitent un NC 40 ou moins.
- Espacez les pompe à chaleur aquathermique d'au moins 3,1 m (10 pi) les unes des autres pour éviter le bruit de plusieurs unités dans un espace.
- Maximisez la hauteur de l'unité au-dessus du plafond (horizontal).
- Suspendez l'unité avec des œillets d'isolement conçus pour réduire les vibrations (horizontal).

##### Emplacement vertical de l'unité

- Spécifiez l'équipement dont la puissance acoustique est la plus faible.
- Espacez les pompe à chaleur aquathermique d'au moins 3,1 m (10 pi) les unes des autres pour éviter le bruit de plusieurs unités dans un espace.
- Les revêtements acoustiques de plafond peuvent réduire considérablement les niveaux de bruit dans les locaux des installations mécaniques.
- Installez l'unité sur un tapis insonorisant, du polystyrène extrudé, du caoutchouc ou du liège.

#### Conduits

- Vérifiez que les grilles de retour d'air ne permettent pas au bruit du site de se transmettre dans l'espace adjacent. Utilisez une barrière sonore ou un autre matériau pour isoler la grille de l'unité. Une grille d'alimentation, une gaine et un court morceau de conduit flexible orientés loin de l'unité peuvent considérablement atténuer le bruit de l'équipement.
- Utilisez un connecteur de conduit d'isolement en toile au raccord de conduit d'alimentation et de retour de l'unité.
- Revêtez l'intérieur du conduit de refoulement et de retour avec un isolant acoustique sur les 1,2 à 2,4 premiers m (4 à 8 pi) de l'unité. Installez un coude de conduit de retour en forme de « L » à doublure interne sur la grille de retour. Orientez le coude loin des unités adjacentes.
- Installez toujours au moins un coude à 90° dans le conduit de refoulement, afin d'éliminer la transmission du bruit dans la ligne de vue du ventilateur.
- Utilisez des palettes tournantes à tous les coudes et tés pour réduire la turbulence.
- Limitez la vitesse des conduits d'alimentation à moins de 304,8 m/min (1 000 pi/min).
- Concevez et installez des conduits aussi rigides que possible.
- Prévoyez 3 diamètres de conduit vers le haut et vers le bas de l'unité avant l'installation de raccords ou de transitions.
- Utilisez un produit d'étanchéité pour conduit sur tous les joints des conduits.
- Installez un morceau court de conduit flexible (0,6 à 1,2 m [2 à 4 pi]) sur tous les conduits de dérivation juste avant la gaine de décharge ou le diffuseur, afin de réduire les vibrations et le son des conduits avant la livraison dans la pièce.
- Placez le registre d'équilibrage du conduit de dérivation le plus loin possible du diffuseur.
- Dans les systèmes de plénum de plafond, installez un coude de conduit de retour en forme de « L » à doublure interne. Orientez le coude loin des unités adjacentes (horizontal).

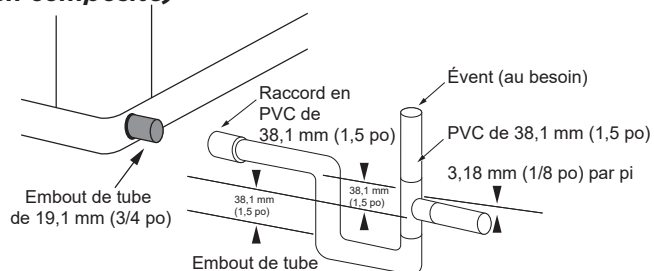


## Informations sur l'installation (suite)

### Drain de condensat

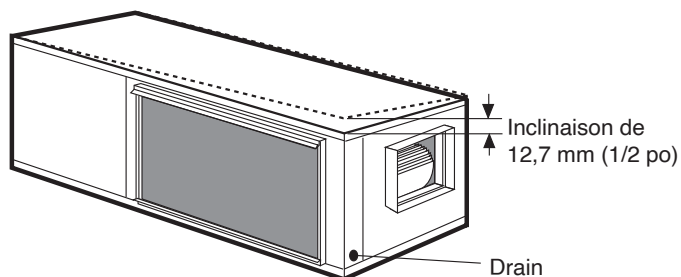
Sur les unités verticales, l'ensemble de drain de condensat interne se compose d'un tube d'évacuation relié au bac de récupération, d'un adaptateur femelle en PVC de 19,1 mm (3/4 po) et d'un tuyau flexible de raccordement. L'adaptateur femelle peut sortir de l'avant ou du côté de l'armoire. L'adaptateur devrait être collé à la tuyauterie de condensat en PVC installée sur place. Sur les unités verticales, un tuyau de condensat se trouve à l'intérieur de toutes les armoires comme une boucle de piégeage; par conséquent, un siphon externe n'est pas nécessaire.

#### Raccord de drain horizontal (bac de récupération en composite)



Sur les unités horizontales à débit inférieur, un embout en PVC ou un tube en acier inoxydable est fourni pour le raccords de la tuyauterie de vidange du condensat. Un piège externe est requis (voir ci-dessous). Si un évent est nécessaire, un tuyau à support ouvert peut être appliqué sur un raccord en T dans la tuyauterie de condensat installée sur place.

#### Hauteur de l'unité pour le drain



### Système de conduits

Un collier de sortie d'air est fourni sur les unités verticales à débit supérieur et sur toutes les unités horizontales pour faciliter le raccordement des conduits. Un raccord flexible est recommandé pour les raccordements des conduits de refoulement et de reprise d'air sur les systèmes de conduits métalliques. Les conduits non isolés doivent être isolés au moyen d'un isolant de conduit d'au moins 25,4 mm (1 po). L'utilisation de l'appareil sur des conduits non isolés dans un espace non climatisé n'est pas recommandée, car le rendement de l'appareil sera compromis.

Si l'appareil est raccordé à des conduits existants, vérifiez le système de conduits pour s'assurer qu'il a la capacité d'accueillir l'air requis pour l'utilisation de l'appareil. Si le conduit est trop petit, comme pour le remplacement des systèmes de chauffage seulement, des conduits plus grands devraient être installés. Tous les conduits existants devraient être vérifiés pour déceler les fuites et réparés au besoin.

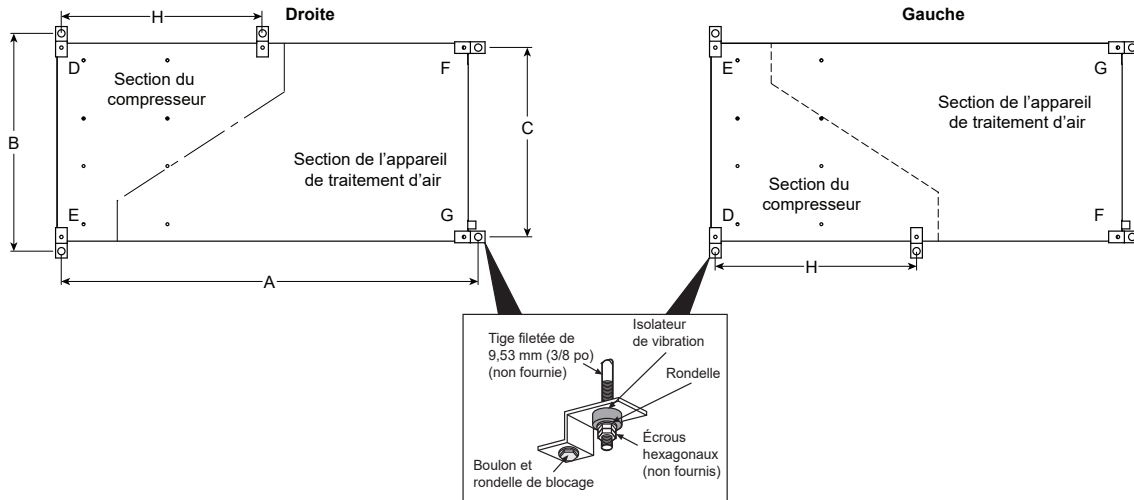
Le système de conduits devrait être dimensionné de manière à gérer le débit d'air de façon silencieuse et efficace. Pour maximiser l'atténuation sonore du ventilateur de l'appareil, les plenums d'alimentation et de retour devraient être munis d'une doublure de conduit interne en fibre de verre ou de panneaux d'isolation sur les premiers pieds. Dans les systèmes utilisant un système de conduits en tôle, des raccords en toile devraient être utilisés entre l'appareil et les conduits. Si un bruit d'air ou un débit d'air excessif est un problème, la vitesse du ventilateur peut être modifiée.

### Tuyauterie d'eau

Le bon débit d'eau doit être fourni à chaque unité chaque fois que celle-ci fonctionne. Pour assurer un débit adéquat, utilisez des orifices de pression et de température pour déterminer le débit. Ces orifices devraient être situés aux raccords d'alimentation et de retour d'eau de l'appareil. Le bon débit ne peut pas être réglé avec précision sans mesurer la chute de pression d'eau dans l'échangeur de chaleur de réfrigérant-eau.

Tous les raccords d'eau de source sur les unités commerciales acceptent un filetage mâle (MPT). Insérez les raccords à la main, puis serrez le raccord avec une clé pour obtenir un joint étanche. Lors de la connexion à un système à boucle ouverte (eau souterraine), enfitez tout raccord MPT en cuivre dans le raccord et serrez de la même manière que ci-dessus.

## Emplacement des supports de suspension



**REMARQUE :** Les modèles de tailles 070-072 seront expédiés avec six (6) supports de suspension. Seulement cinq (5) supports de suspension seront utilisés sur l'unité. Voir l'illustration ci-dessus pour l'emplacement du cinquième support de suspension. Tous les autres modèles utiliseront quatre (4) supports de suspension.

### Emplacement des supports de suspension

Modèle	Numéro de pièce de la trousse de suspension	Dimensions de la pièce de suspension de l'unité					
		A	B	C	D		
Une vitesse	009-012	po	99S500A04	35,7	25,1	21,4	s/o
		cm		90,7	63,8	54,4	s/o
	015-018	po	99S500A04	42,8	25,1	21,4	s/o
		cm		108,7	63,8	54,4	s/o
	024-030	po	99S500A04	45,8	25,1	21,4	s/o
		cm		116,3	63,8	54,4	s/o
	036	po	99S500A04	48,8	28,1	24,4	s/o
		cm		124,0	71,4	62,0	s/o
	042-048	po	99S500A04	53,8	28,1	24,4	s/o
		cm		136,7	71,4	62,0	s/o
	060	po	99S500A04	61,8	28,1	24,4	s/o
		cm		157,0	71,4	62,0	s/o
072	po	99S500A03	68,8	28,1	24,4	34,0	
	cm		174,8	71,4	62,0	74,4	
Capacité double	018	po	99S500A04	42,8	25,1	21,4	s/o
		cm		108,7	63,8	54,4	s/o
	024-030	po	99S500A04	45,8	25,1	21,4	s/o
		cm		116,3	63,8	54,4	s/o
	036	po	99S500A03	48,8	28,1	24,4	s/o
		cm		124,0	71,4	62,0	s/o
	042-048	po	99S500A04	53,8	28,1	24,4	s/o
		cm		136,7	71,4	62,0	s/o
	060	po	99S500A04	61,8	28,1	24,4	s/o
		cm		157,0	71,4	62,0	s/o
	072	po	99S500A03	68,8	28,1	24,4	34,0
		cm		174,8	71,4	62,0	74,4

### Tableau de la répartition du poids

Modèle	Poids d'expédition verticale	Poids d'expédition horizontale	Répartition du poids horizontal				
			Avant		Arrière		
			D	E	F	G	
Une vitesse	009	[171]	[176]	[32]	[67]	[32]	[45]
		78	80	15	30	15	20
	012	[171]	[176]	[32]	[67]	[32]	[45]
		78	80	15	30	15	20
	015	[210]	[220]	[65]	[40]	[70]	[35]
		95	100	29	18	32	16
	018	[210]	[220]	[65]	[40]	[70]	[35]
		95	100	29	18	32	16
	024	[280]	[295]	[75]	[70]	[75]	[20]
		127	134	34	31	34	13
	030	[285]	[295]	[75]	[70]	[75]	[30]
		129	134	34	31	34	13
036	[300]	[305]	[85]	[80]	[85]	[40]	
	136	138	39	36	39	18	
042	[365]	[375]	[115]	[95]	[75]	[60]	
	166	170	52	43	34	27	
048	[370]	[380]	[120]	[100]	[80]	[65]	
	168	172	54	45	36	29	
060	[410]	[420]	[120]	[110]	[95]	[80]	
	186	191	54	50	43	36	
072	[445]	[455]	[135]	[120]	[100]	[85]	
	202	206	61	54	45	39	
Capacité double	018	[210]	[220]	[65]	[40]	[70]	[35]
		95	100	29	18	32	16
	024	[280]	[295]	[75]	[70]	[75]	[20]
		127	134	34	31	34	13
	030	[285]	[295]	[75]	[70]	[75]	[30]
		129	134	34	31	34	13
	036	[300]	[305]	[85]	[80]	[85]	[40]
		136	138	39	36	39	18
	042	[365]	[375]	[115]	[95]	[75]	[60]
		166	170	52	43	34	27
	048	[370]	[380]	[120]	[100]	[80]	[65]
		168	172	54	45	36	29
060	[410]	[420]	[120]	[110]	[95]	[80]	
	186	191	54	50	43	36	
072	[445]	[455]	[135]	[120]	[100]	[85]	
	202	206	61	54	45	39	

## Qualité de l'eau

Matériel		Cuivre	90/10 Cupronickel	Acier inoxydable 316
pH	Acidité/Alcalinité	7 - 9	7 - 9	7 - 9
Entartrage	Calcium et carbonate de magnésium	(Dureté totale) inférieure à 350 ppm	(Dureté totale) inférieure à 350 ppm	(Dureté totale) inférieure à 350 ppm
Corrosion	Sulfure d'hydrogène	Moins de 0,5 ppm (une odeur d'œuf pourri se dégage à 0,5 ppm)	10 - 50 ppm	Moins de 1 ppm
	Sulfates	Moins de 125 ppm	Moins de 125 ppm	Moins de 200 ppm
	Chlore	Moins de 0,5 ppm	Moins de 0,5 ppm	Moins de 0,5 ppm
	Chlorures	Moins de 20 ppm	Moins de 125 ppm	Moins de 300 ppm
	Dioxyde de carbone	Moins de 50 ppm	10 - 50 ppm	10 - 50 ppm
	Ammoniac	Moins de 2 ppm	Moins de 2 ppm	Moins de 20 ppm
	Chlorure d'ammonium	Moins de 0,5 ppm	Moins de 0,5 ppm	Moins de 0,5 ppm
	Nitrate d'ammonium	Moins de 0,5 ppm	Moins de 0,5 ppm	Moins de 0,5 ppm
	Hydroxyde d'ammonium	Moins de 0,5 ppm	Moins de 0,5 ppm	Moins de 0,5 ppm
	Sulfate d'ammonium	Moins de 0,5 ppm	Moins de 0,5 ppm	Moins de 0,5 ppm
Encrassement par le fer (Croissance biologique)	Solides totaux dissous (TDS)	Moins de 1 000 ppm	1 000 - 1 500 ppm	1 000 - 1 500 ppm
	Indice LSI	+0,5 à -0,5	+0,5 à -0,5	+0,5 à -0,5
Encrassement par le fer (Croissance biologique)	Fer, $FE^{2+}$ (Ferreux) potentiel de fer bactérien	< 0,2 ppm	< 0,2 ppm	< 0,2 ppm
	Oxyde de fer	Moins de 1 ppm, au-delà de ce niveau, il y a dépôt	Moins de 1 ppm, au-delà de ce niveau, il y a dépôt	Moins de 1 ppm, au-delà de ce niveau, il y a dépôt
Érosion	Matières en suspension	Moins de 10 ppm et filtré pour une taille maximale de 600 microns	Moins de 10 ppm et filtré pour une taille maximale de 600 microns	Moins de 10 ppm et filtré pour une taille maximale de 600 microns
	Vitesse limite (Eau fraîche)	< 1,8 m/s (6 pi/s)	< 1,8 m/s (6 pi/s)	< 1,8 m/s (6 pi/s)

REMARQUES : Grains = ppm divisé par 17 mg/L équivaut à ppm

22/02/12

### Directives relatives à la qualité de l'eau

Dans les eaux souterraine où l'entartrage pourrait être important ou en cas de croissance biologique comme des bactéries ferreuses, un système en boucle fermée est recommandé. Les serpentins d'échangeur de chaleur des réseaux d'eau souterraine peuvent, sur une certaine période de temps, perdre leur capacité d'échange thermique en raison de l'accumulation de dépôts minéraux à l'intérieur. Ceux-ci peuvent être nettoyés, mais seulement par un mécanicien de service qualifié, car des solutions spéciales et de l'équipement de pompage sont requis. Les serpentins du générateur d'eau chaude peuvent également être entartré et possiblement obstrués. Dans les endroits où l'eau est extrêmement dure, le propriétaire devrait être informé que l'échangeur de chaleur peut nécessiter un rinçage occasionnel. Le non-respect des directives figurant dans le tableau de qualité de l'eau pourrait entraîner une perte de garantie.

Les unités avec échangeurs de chaleur en cupronickel sont recommandées pour les applications en circuit ouvert en raison de la résistance accrue à l'accumulation et à la corrosion, ainsi que de la réduction de l'usure causée par le nettoyage à l'acide.



## Raccords du générateur d'eau chaude

Le serpentin du générateur d'eau chaude récupérant la chaleur est fait de cuivre à double paroi ventilé et convient à l'eau potable.

Pour optimiser les avantages du générateur d'eau chaude, un chauffe-eau d'au moins 189,27 L (50 gal) est recommandé. Pour les applications à plus forte demande, utilisez un chauffe-eau de 302,83 L (80 gal) ou deux chauffe-eau de 189,27 L (50 gal) raccordés en série comme illustré ci-dessous. Les chauffe-eau électriques sont recommandés. Assurez-vous que tous les codes d'électricité et de plomberie locaux sont respectés pour l'installation d'un générateur d'eau chaude. Un adoucisseur d'eau est recommandé avec de l'eau dure (supérieure à 10 grains ou une dureté totale de 170).

### Préparation du réservoir d'eau

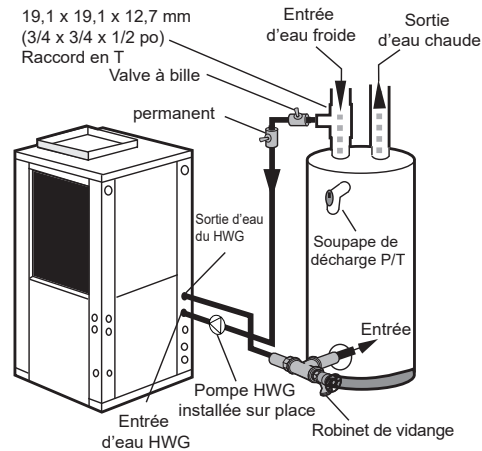
Pour installer une unité munie d'un générateur d'eau chaude, suivez les directives d'installation suivantes.

1. Coupez l'alimentation du chauffe-eau.
2. Fixez un tuyau d'arrosage au raccord de vidange du réservoir d'eau et placez l'autre extrémité du tuyau dans un drain ouvert ou à l'extérieur.
3. Fermez la vanne d'entrée d'eau froide du réservoir du chauffe-eau.
4. Vidangez le réservoir en ouvrant la vanne au fond du réservoir, puis ouvrez la soupape de décharge ou le robinet d'eau chaude.
5. Rincez le réservoir en ouvrant la vanne d'entrée d'eau froide sur le chauffe-eau pour débarrasser le réservoir de sédiments. Fermez lorsque l'eau de vidange est claire.
6. Débranchez le tuyau d'arrosage et retirez le robinet de vidange du chauffe-eau.
7. Reportez-vous à la section Installation de plomberie et démarrage du générateur d'eau chaude.

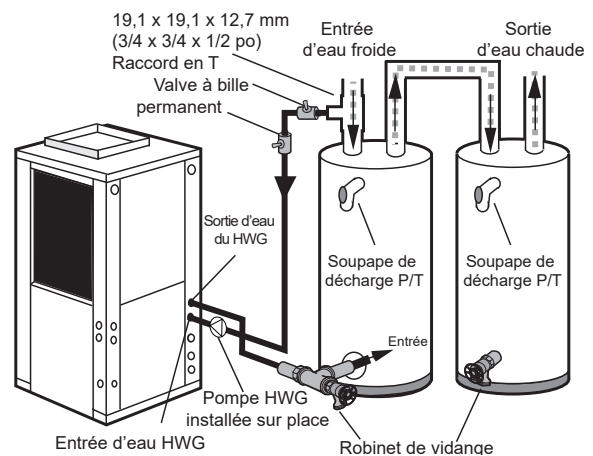
### Installation de plomberie

1. Inspectez le tube plongeur dans l'entrée froide du chauffe-eau pour déceler la présence d'un clapet antiretour. Si un clapet antiretour est présent, il doit être enlevé pour éviter d'endommager le circulateur du générateur d'eau chaude.
2. Enlevez le robinet de vidange et le raccord.
3. Enfilez le raccord mâle en laiton NPT de 19,1 x 88,9 mm (3/4 x 3 1/2 po) dans l'orifice de vidange du chauffe-eau.
4. Fixez l'orifice central du raccord FPT en T de 19,1 mm (3/4 po) à l'extrémité opposée du raccord mâle en laiton.
5. Fixez le raccord en cuivre de 12,7 mm (1/2 po) à l'adaptateur NPT de 19,1 mm (3/4 po) sur le côté du raccord en T le plus près de l'appareil.
6. Installez le robinet de vidange sur le raccord en T, du côté opposé à l'adaptateur.
7. Passez le tube interconnecté du raccord en T à la sortie d'eau de la pompe HWG.

### Installation typique d'un générateur d'eau chaude



### Installation du générateur d'eau chaude dans le réservoir de préchauffage



**REMARQUE :** Cette configuration maximise la capacité du générateur d'eau chaude.



**ATTENTION :** Les éléments brûlent s'ils sont sous tension et secs.

8. Coupez la conduite d'eau froide d'ENTRÉE allant vers le chauffe-eau.
9. Insérez le raccord de réduction en T soudé dans la ligne d'entrée d'eau froide comme montré.
10. Faites fonctionner un tube en cuivre interconnecté entre l'entrée d'eau DHW de l'unité et le raccord en T (12,7 mm [1/2 po] nominal). La distance maximale recommandée est de 15,24 m (50 pi).
11. Pour empêcher l'air de s'incruster dans le système, installez un raccord de ventilation au point le plus élevé des interconnexions des conduits.
12. Isolez toutes les surfaces exposées des deux conduites d'eau à l'aide d'un isolant mural à parois fermées de 9,53 mm (3/8 po).

**REMARQUE :** Tous les raccords de plomberie et de tuyauterie doivent être conformes aux codes de plomberie locaux.

## Raccords du générateur d'eau chaude (suite)

### Démarrage de l'interrupteur du générateur d'eau chaude

1. Assurez-vous que la thermopompe est hors tension.  
Connectez le fil de la pompe du générateur d'eau chaude au T1 sur le contacteur.
2. Fermez le robinet de vidange du chauffe-eau.
3. Ouvrez l'alimentation en eau froide du réservoir.
4. Ouvrez un robinet d'eau chaude dans l'immeuble pour purger l'air du système. Fermez lorsqu'il est plein.
5. Ouvrez la soupape de décharge pour purger l'air restant du réservoir, puis fermez-la.
6. Si l'appareil en est équipé, tournez la vis de pression au centre de la pompe deux (2) tours pour l'ouvrir (l'eau s'écoulera), attendez que tout l'air soit purgé de la pompe, puis serrez le bouchon. Utilisez des raccords d'évent pour purger l'air des conduites.
7. Inspectez soigneusement toute la plomberie pour déceler toute fuite d'eau et corrigez au besoin.
8. Avant de rétablir l'alimentation électrique du chauffe-eau, réglez le réglage de température du réservoir.
  - Sur les réservoirs dotés d'éléments supérieurs et inférieurs, l'élément inférieur doit être réduit au réglage le plus bas, soit environ 37,8 °C (100 °F). L'élément supérieur doit être réglé à 48,8 et 54,4 °C (120 et 130 °F). Selon les besoins particuliers du client, vous pouvez ajuster l'élément supérieur différemment.
  - Sur les réservoirs avec un seul élément, abaissez le réglage du thermostat à 48,8 °C (120 °F).
9. Une fois le ou les thermostats réglés, replacer le couvercle d'accès et rétablir l'alimentation électrique du chauffe-eau.
10. Assurez-vous que toutes les vannes du circuit du générateur d'eau chaude sont ouvertes.
11. Mettez l'unité en marche en mode chauffage.
12. La pompe HWG devrait fonctionner. Au démarrage de la pompe, tourner la vis de mise à l'air libre (si équipé) au centre de la pompe deux (2) tours jusqu'à ce que l'eau s'écoule, puis remplacez-la. Laissez la pompe fonctionner pendant au moins cinq minutes pour vous assurer que l'eau a bien rempli le circulateur.
13. La différence de température entre l'eau qui entre dans le générateur d'eau chaude et qui en sort devrait se situer entre -15 et -9,4 °C (5 et 15 °F). Le débit d'eau devrait être d'environ 1,5 L/min (0,4 gal/min) par tonne de refroidissement nominal.
14. Laissez l'appareil chauffer de l'eau pendant 15 à 20 minutes pour s'assurer que le fonctionnement est normal.



**ATTENTION : N'utilisez jamais la pompe de circulation HWG lorsqu'elle est sèche. Si l'appareil est mis en marche avant que la tuyauterie du générateur d'eau chaude ne soit raccordée, assurez-vous que les fils de la pompe sont déconnectés du contacteur.**

## Raccords électriques

### Généralités

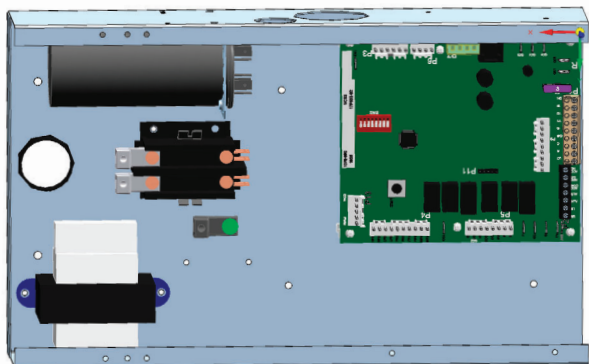
Assurez-vous que l'alimentation disponible correspond au même voltage et à la même phase que celles indiquées sur la plaque de série de l'appareil. Le câblage de ligne et de la basse tension doit être effectué conformément aux codes locaux ou au Code national de l'électricité, selon ce qui est applicable.

### Connexion d'alimentation

Branchez les câbles de tension d'entrée à L1 et L2 du contacteur pour l'unité monophasée. Consultez les tableaux des données électriques pour connaître la bonne taille des fusibles.

**REMARQUE :** Un débranchement doit être intégré au câblage fixe conformément aux règles de câblage/NEC.

### Boîtier de commande de base Aurora



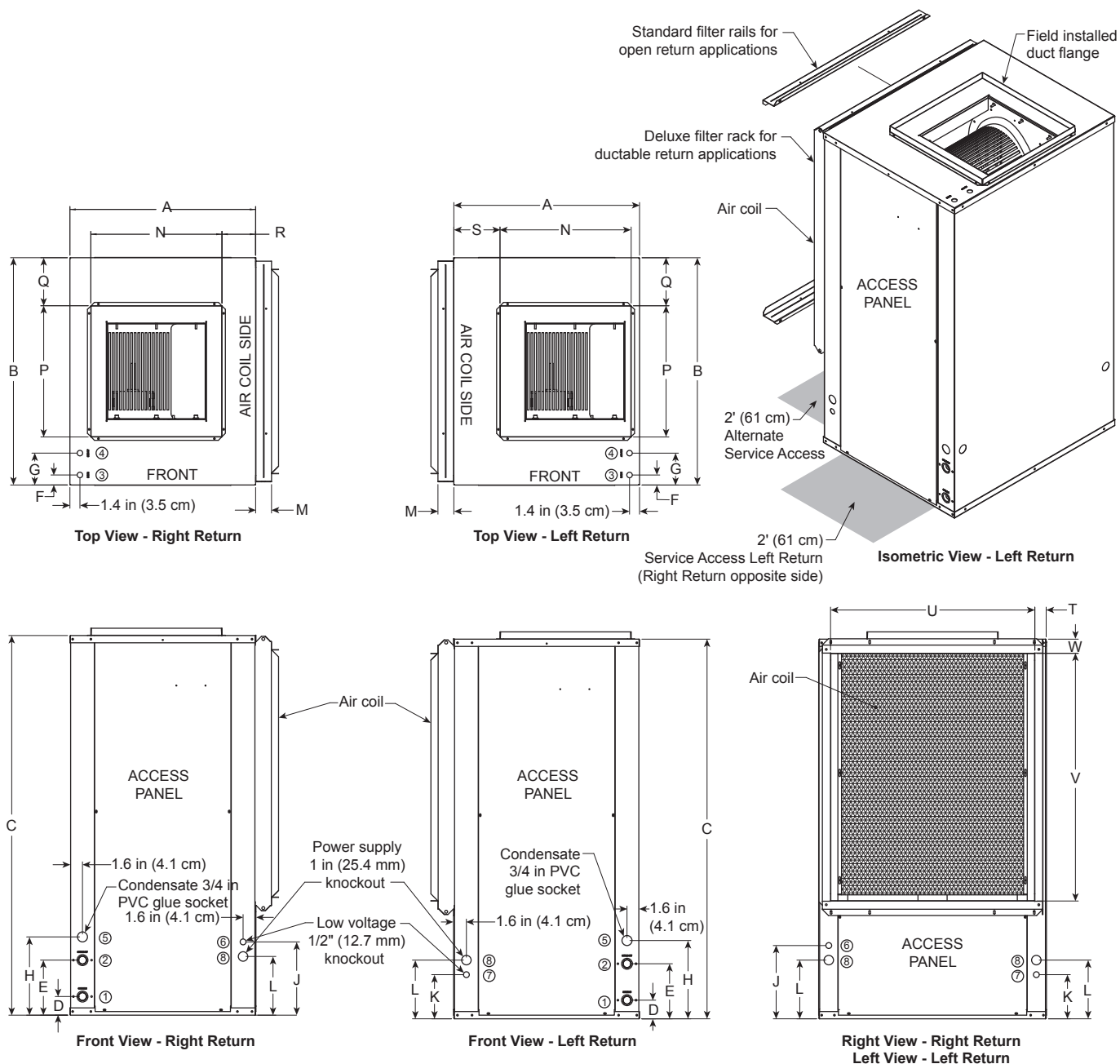
### Fonctionnement de 208 V

Toutes les unités 208/230 sont câblées en usine pour un fonctionnement à 230 V. Pour un fonctionnement de 208 V, les fils de transformateur rouge et bleu doivent être branchés sur la barrette de connexion PS.



**ATTENTION :** Lors de l'installation d'une unité dotée d'un moteur de ventilateur ECM à vitesse variable en tension de 460/60/3, un fil neutre est requis pour assurer le bon fonctionnement de l'unité.

## Données dimensionnelles - verticales



## Données dimensionnelles verticales (suite)

Modèles verticaux	Ensemble de l'armoire			Raccords d'eau								Entrées défonçables pour câbles électriques		
				1	2	3	4	5	Boucle Eau FPT	Entrée défonçable Dispositions de la pompe HWG	6	7	8	
	A Largeur	B Profondeur	C Hauteur*	D po	E Sortie	F Entrée HWG	G Sortie HWG	H Condensat			J condensateur 12,7 mm (1/2 po)	K condensateur 12,7 mm (1/2 po)	L condensateur 12,7 mm (1/2 po)	
										Basse tension				
009-012	po	22,5	22,2	30,2	2,6	7,6	S/O	S/O	10,8	1/2 po	S/O	9,4	5,4	7,4
	cm	57,2	56,4	76,7	6,6	19,3	S/O	S/O	27,4	12,7 mm	S/O	23,9	13,7	18,8
015-018	po	22,5	26,2	40,2	2,6	7,6	1,4	4,4	10,8	3/4 po	0,875	10,1	6,1	8,1
	cm	57,2	66,5	102,1	6,6	19,3	3,6	11,2	27,4	19,1 mm	22,2 mm	25,7	15,5	20,6
024-030	po	22,5	26,2	44,2	2,6	7,6	1,4	4,4	10,8	3/4 po	0,875	10,1	6,1	8,1
	cm	57,2	66,5	112,3	6,6	19,3	3,6	11,2	27,4	19,1 mm	22,2 mm	25,7	15,5	20,6
036	po	25,5	31,2	44,2	2,6	7,6	1,4	4,4	10,8	1 po	0,875	10,1	6,1	8,1
	cm	64,8	79,2	112,3	6,6	19,3	3,6	11,2	27,4	25,4 mm	22,2 mm	25,7	15,5	20,6
042-048	po	25,5	31,2	48,2	2,6	7,6	1,4	4,4	10,8	1 po	0,875	10,1	6,1	8,1
	cm	64,8	79,2	122,4	6,6	19,3	3,6	11,2	27,4	25,4 mm	22,2 mm	25,7	15,5	20,6
060-072	po	25,5	31,2	52,2	2,6	7,6	1,4	4,4	10,8	1 po	0,875	10,1	6,1	8,1
	cm	64,8	79,2	132,6	6,6	19,3	3,6	11,2	27,4	25,4 mm	22,2 mm	25,7	15,5	20,6

Modèles verticaux	Raccord de décharge bride de conduit installée (±2,54 mm [0,10 po])							**Raccord de retour en utilisant un porte-filtre de luxe (±2,54 mm [0,10 po])			
	M	N	P	Q	R	S	T	U	V	W	
	Largeur du porte-filtre	Largeur de l'alimentation	Profondeur de l'alimentation					Profondeur du retour	Hauteur du retour		
009-012	po	2,2	10,0	10,0	6,1	5,3	9,8	2,0	18,1	14,0	2,0
	cm	5,6	25,4	25,4	##	13,5	24,9	5,1	46,0	35,6	5,1
015-018	po	2,2	14,0	14,0	6,1	4,5	7,7	2,0	22,1	22,0	1,9
	cm	5,6	35,6	35,6	##	11,4	19,6	5,1	56,1	55,9	4,8
024-030	po	2,2	14,0	14,0	6,1	4,5	7,7	2,0	22,1	26,1	1,8
	cm	5,6	35,6	35,6	##	11,4	19,6	5,1	56,1	66,3	4,6
036	po	2,2	18,0	18,0	6,6	4,6	6,3	1,6	28,1	26,1	2,0
	cm	5,6	45,7	45,7	##	11,7	16,0	4,1	71,4	66,3	5,1
042-048	po	2,2	18,0	18,0	6,6	4,6	6,3	1,6	28,1	30,0	2,0
	cm	5,6	45,7	45,7	##	11,7	16,0	4,1	71,4	76,2	5,1
060-072	po	2,2	18,0	18,0	6,6	5,0	6,4	1,6	28,1	34,0	2,0
	cm	5,6	45,7	45,7	##	12,7	16,3	4,1	71,4	86,4	5,1

Le condensat est un raccord femelle à coller en PVC de 19,1 mm (3/4 po) et est commutable du côté vers l'avant. 07/05/2024

\* La bride de décharge est installée sur place et se prolonge de 25,4 mm (1 po) du haut de l'armoire.

\*\* Les unités verticales sont expédiées avec un porte-filtre d'application ouverte standard de (50,8 mm (2 po) (ajustable sur place à 25,4 mm [1 po]) qui s'étend de l'appareil de 55,9 mm (2,2 po) et ne convient pas au raccordement des conduits.

Pour les applications de raccord de retour à conduits, commandez le collier de conduit/porte-filtre de luxe de 50,8 mm (2 po) (réglable sur place à 25,4 mm [1 po]) qui s'étend de l'appareil de 82,55 mm (3,25 po) et convient pour le raccordement des conduits.

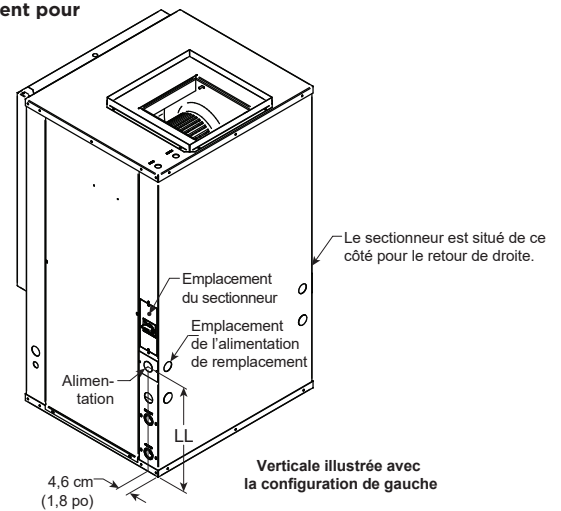
## Sectionneur vertical

Lorsque vous utilisez un sectionneur, n'utilisez pas la dimension L des données dimensionnelles verticales standard. Utilisez la dimension LL des données dimensionnelles du sectionneur vertical.

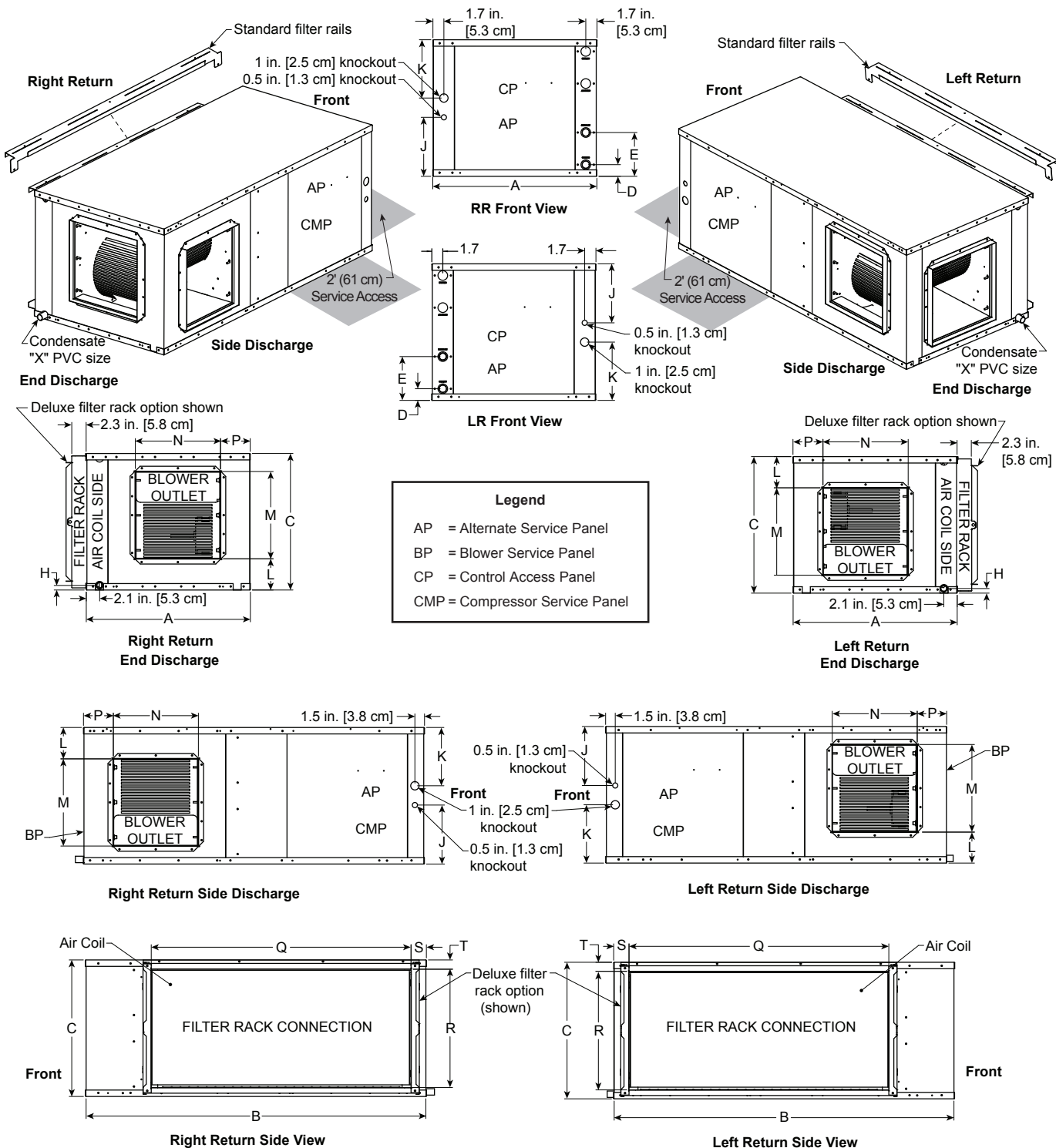
Modèles verticaux	LL
009-012	45,2 [17,8]
015-018	36,3 [14,3]
024-030	38,9 [15,3]
036-038	36,3 [14,3]
042-049	36,3 [14,3]
060-064	36,3 [14,3]
070-072	Externe

Toutes les dimensions sont en cm [pouces]

16/03/2012



## Données dimensionnelles horizontales



## Données dimensionnelles horizontales (suite)

Modèles horizontaux		Ensemble de l'armoire			Raccords d'eau				Entrées défonçables pour câbles électriques	
		A	B	C	1	2	3	Boucle	J	K
		Largeur	Profondeur	Hauteur*	D	E	H		condensateur 12,7 mm (1/2 po)	condensateur 25,4 mm (1 po)
					po	Sortie	Condensat	Eau FPT	Basse tension	Alimentation électrique
009-012	po	22,5	35,0	17,2	1,8	6,8	0,8	1/2 po	7,1	7,1
	cm	57,2	88,9	43,7	4,6	17,3	2,0	12,7 mm	18,0	18,0
015-018	po	22,5	42,0	19,2	1,8	6,8	0,8	3/4 po	9,1	7,1
	cm	57,2	106,7	48,8	4,6	17,3	2,0	19,05 mm	23,1	18,0
024-030	po	22,5	45,0	19,2	1,8	6,8	0,8	3/4 po	9,2	7,1
	cm	57,2	114,3	48,8	4,6	17,3	2,0	19,05 mm	23,4	18,0
036	po	25,5	48,0	21,2	1,8	6,8	0,8	1 po	9,2	9,1
	cm	64,8	121,9	53,8	4,6	17,3	2,0	25,4 mm	23,4	23,1
042-048	po	25,5	53,0	21,2	1,8	6,8	0,8	1 po	9,2	9,1
	cm	64,8	134,6	53,8	4,6	17,3	2,0	25,4 mm	23,4	23,1
060	po	25,5	61,0	21,2	1,8	6,8	0,8	1 po	9,2	9,1
	cm	64,8	154,9	53,8	4,6	17,3	2,0	25,4 mm	23,4	23,1
072	po	25,5	68,0	21,2	1,8	6,8	0,8	1 po	9,2	9,1
	cm	64,8	172,7	53,8	4,6	17,3	2,0	25,4 mm	23,4	23,1

Modèles horizontaux		Raccord de décharge bride de conduit installée (±2,54 mm [0,10 po])				Raccord de retour en utilisant l'option de porte-filtre de luxe (±2,54 mm [0,10 po])				Dimensions de la pièce de suspension de l'unité			Taille du PVC
		L	M	N	P	Q	R	S	T	U	V	W	X
		Largeur de l'alimentation		Profondeur de l'alimentation		Profondeur du retour	Hauteur du retour						
009-012	po	5,9	7,2	9,5	6,0	16,4	14,5	2,0	1,4	35,7	25,1	21,4	3/4 po
	cm	15,0	18,3	24,1	15,2	41,7	36,8	5,1	3,6	90,7	63,8	54,4	1,9
015-018	po	6,7	10,5	9,4	4,9	27,4	16,6	2,0	1,4	42,8	25,1	21,4	3/4 po
	cm	17,0	26,7	23,9	12,4	69,6	42,2	5,1	3,6	108,6	63,8	54,4	1,9
024-030	po	6,7	10,5	9,4	4,9	30,4	16,6	2,0	1,5	45,8	25,1	21,4	3/4 po
	cm	17,0	26,7	23,9	12,4	77,2	42,2	5,1	3,8	116,3	63,8	54,4	1,9
036	po	4,9	13,6	13,2	4,6	35,4	18,6	2,3	1,4	48,8	28,1	24,4	3/4 po
	cm	12,4	34,5	33,5	11,7	89,9	47,2	5,8	3,6	124,0	71,4	62,0	1,9
042-048	po	4,9	13,6	13,2	4,6	40,4	18,6	2,3	1,4	53,8	28,1	24,4	3/4 po
	cm	12,4	34,5	33,5	11,7	102,6	47,2	5,8	3,6	136,7	71,4	62,0	1,9
060	po	4,9	13,6	13,2	4,6	45,4	18,6	2,3	1,4	61,8	28,1	24,4	3/4 po
	cm	12,4	34,5	33,5	11,7	115,3	47,2	5,8	3,6	157,0	71,4	62,0	1,9
072	po	4,9	13,6	13,2	4,6	45,4	18,6	2,3	1,4	68,8	28,1	24,4	3/4 po
	cm	12,4	34,5	33,5	11,7	115,3	47,2	5,8	3,6	174,8	71,4	62,0	1,9

07/05/2024

Les unités horizontales sont expédiées avec un porte-filtre d'application ouverte standard de 50,8 mm (2 po) (ajustable sur place à 25,4 mm [1 po]) qui s'étend de l'appareil de 55,9 mm (2,2 po) et ne convient pas pour le raccordement des conduits. Pour les applications de raccord de retour à conduits, commandez le collier de conduit/porte-filtre de luxe de 50,8 mm (2 po) (réglable sur place à 25,4 mm [1 po]) qui s'étend de l'appareil de 82,55 mm (3,25 po) et convient pour le raccordement des conduits.

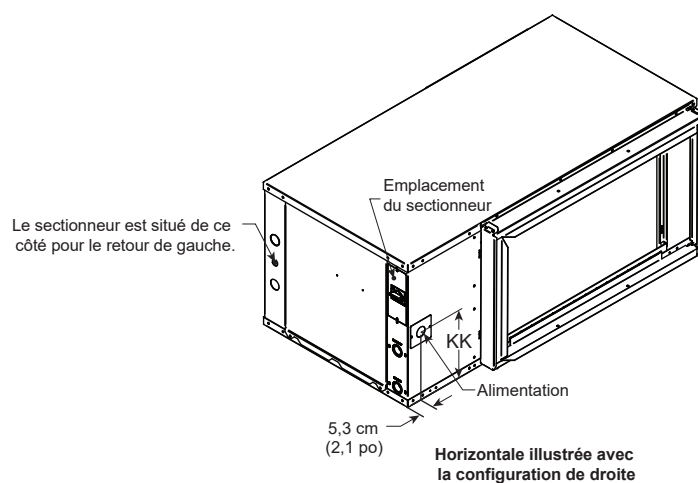
## Sectionneur horizontal

Lorsque vous utilisez un sectionneur, n'utilisez pas la dimension K des données dimensionnelles horizontales standard. Utilisez la dimension KK des données dimensionnelles du sectionneur horizontal.

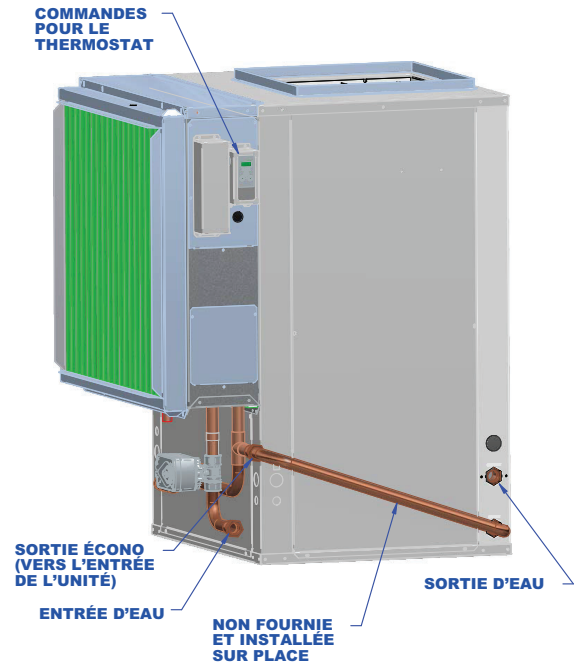
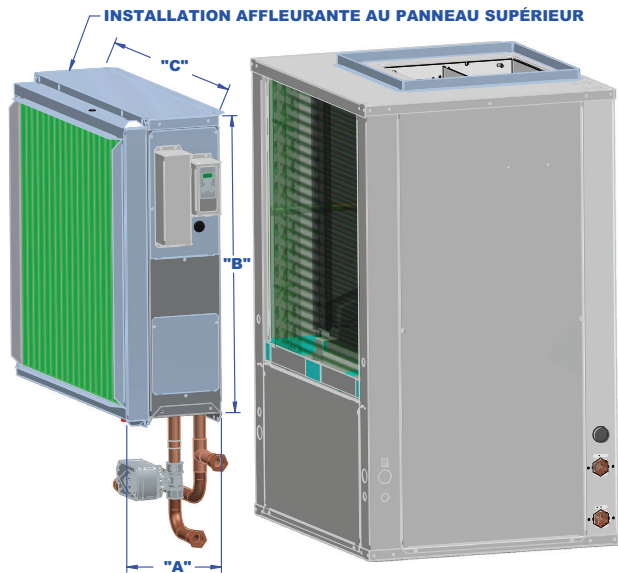
Modèles horizontaux	KK
009-012	20,8 [8,2]
015-018	23,4 [9,2]
024-030	23,4 [9,2]
036-038	28,4 [11,2]
042-049	25,9 [10,2]
060-064	28,4 [11,2]
070-072	25,9 [10,2]

Toutes les dimensions sont en cm [pouces]

16/03/2012



## Données dimensionnelles côté eau



SÉRIE DE MODÈLES	SÉRIE DE MODÈLES	SÉRIE DE MODÈLES	« A »	« B »	« C »	LARGEUR DU PORTE-FILTRE
*3V024-030			7,2	22	22,2	2,2
*3V036			7,2	26	26,2	2,2
*3V042-048	*5V024-030	*7V024	7,2	30	26,2	2,2
*3V060	*5V036-038	*7V036	7,2	30	31,2	2,2
*3V070	*5V042-049	*7V048	7,2	34	31,2	2,2
	*5V060-072	*7V060-072	7,2	38	31,2	2,2



## Données physiques – capacité double

Modèle		Capacité double							
		018	024	030	036	042	048	060	072
Compresseur (1 chacun)		Volute à deux étapes							
Charge d'usine R-454B, kg (oz)	Verticale	0,91 (32)	1,42 (50)	1,59 (56)	1,53 (54)	1,59 (56)	1,76 (62)	2,15 (76)	2,95 (104)
Charge d'usine R-454B, kg (oz)	Horizontale	0,93 (36)	1,36 (48)	1,53 (54)	1,53 (54)	1,76 (62)	2,04 (72)	2,38 (84)	2,95 (104)
<b>Moteur du ventilateur et ventilateur</b>									
Type/vitesses du moteur du ventilateur	VS ECM	Vitesse ECM variable							
	ECM à 5 vitesses	ECM à 5 vitesses							
Moteur du ventilateur – W (ch)	VS ECM	373 (1/2)	373 (1/2)	373 (1/2)	373 (1/2)	373 (1/2)	373 (1/2)	746 (1)	746 (1)
	ECM à 5 vitesses	373 (1/2)	373 (1/2)	373 (1/2)	373 (1/2)	746 (1)	746 (1)	746 (1)	746 (1)
Moteur de ventilateur à statique élevée – W (ch)	VS ECM	non disponible	non disponible	non disponible	746 (1)	746 (1)	746 (1)	non disponible	non disponible
Dimensions de la roue du ventilateur (diamètre x W), mm (po)	VS ECM	229 x 178 (9 x 7)	229 x 178 (9 x 7)	229 x 178 (9 x 7)	279 x 254 (11 x 10)	279 x 254 (11 x 10)	279 x 254 (11 x 10)	279 x 254 (11 x 10)	279 x 254 (11 x 10)
	ECM à 5 vitesses	229 x 178 (9 x 7)	229 x 178 (9 x 7)	229 x 178 (9 x 7)	279 x 254 (11 x 10)	279 x 254 (11 x 10)	279 x 254 (11 x 10)	279 x 254 (11 x 10)	279 x 254 (11 x 10)
Taille de la roue statique élevée (diamètre x W), mm (po)	VS ECM	non disponible	non disponible	non disponible	279 x 254 (11 x 10)	279 x 254 (11 x 10)	279 x 254 (11 x 10)	non disponible	non disponible
<b>Tuyauterie coaxiale et d'eau</b>									
Dimensions des raccords d'eau – FPT – mm (po)		25,4 (1)	25,4 (1)	25,4 (1)	25,4 (1)	25,4 (1)	25,4 (1)	25,4 (1)	25,4 (1)
Taille des raccords HWG - D.I. femelle de soudure, mm (po) (vertical seulement)		12,7 (1/2)	12,7 (1/2)	12,7 (1/2)	12,7 (1/2)	12,7 (1/2)	12,7 (1/2)	12,7 (1/2)	12,7 (1/2)
Volume d'eau de la tuyauterie coaxiale et de la tuyauterie – l (gal)		1,5 (0,40)	2,6 (0,7)	3,8 (1,0)	4,9 (1,3)	4,9 (1,3)	6,1 (1,6)	6,1 (1,6)	8,7 (2,3)
<b>Verticale</b>									
Dimension de la bobine d'air (H x W), mm (po)		483 x 508 (19 x 20)	610 x 542 (24 x 20)	711 x 542 (28 x 20)	711 x 542 (28 x 20)	813 x 635 (32 x 25)	813 x 635 (32 x 25)	914 x 635 (36 x 25)	914 x 635 (36 x 25)
Surface totale de la face de la bobine d'air, m <sup>2</sup> (pi <sup>2</sup> )		0,242 (2,6)	0,310 (3,3)	0,362 (3,9)	0,451 (4,9)	0,570 (5,6)	0,570 (5,6)	0,641 (6,3)	0,641 (6,3)
Taille du tube de la bobine d'air, mm (po)		9,5 (3/8)	9,5 (3/8)	9,5 (3/8)	9,5 (3/8)	7,9 (5/16)	7,9 (5/16)	9,5 (3/8)	9,5 (3/8)
Nombre de rangées de la bobine d'air		3	3	3	3	4	4	4	4
Filtre standard – 1 po (25 mm), plissé MERV4 jetable, mm (po)		610 x 610 (1 - 24 x 24)	712 x 610 (28 x 2)	712 x 610 (28 x 2)	712 x 762 (28 x 30)	813 x 762 (32 x 30)	813 x 762 (32 x 30)	762 x 914 (30 x 36)	762 x 914 (30 x 36)
Filtre standard – 2 po (51 mm), plissé MERV13 jetable, mm (po)		610 x 610 (1 - 24 x 24)	712 x 610 (28 x 2)	712 x 610 (28 x 2)	712 x 762 (28 x 30)	813 x 762 (32 x 30)	813 x 762 (32 x 30)	762 x 914 (30 x 36)	762 x 914 (30 x 36)
<b>Horizontal</b>									
Dimension de la bobine d'air (H x W), mm (po)		457 x 533 (18 x 21)	457 x 686 (18 x 27)	457 x 762 (18 x 30)	508 x 889 (20 x 35)	508 x 1016 (20 x 40)	508 x 1016 (20 x 40)	508 x 1143 (20 x 45)	508 x 1143 (20 x 45)
Surface totale de la face de la bobine d'air, m <sup>2</sup> (pi <sup>2</sup> )		0,242 (2,6)	0,316 (3,4)	0,362 (3,9)	0,451 (4,9)	0,570 (5,6)	0,570 (5,6)	0,641 (6,3)	0,641 (6,3)
Taille du tube de la bobine d'air, mm (po)		7,9 (5/16)	9,5 (3/8)	9,5 (3/8)	9,5 (3/8)	9,5 (3/8)	9,5 (3/8)	9,5 (3/8)	9,5 (3/8)
Nombre de rangées de la bobine d'air		3	3	3	3	3	3	4	4
Filtre standard – 1 po (25 mm), plissé MERV4 jetable, mm (po)		457 x 356 (1 - 18 x 14) 457 x 406 (1 - 18 x 16)	457 x 457 (1 - 18 x 18) 457 x 356 (1 - 18 x 14)	457 x 457 (1 - 18 x 18) 457 x 356 (1 - 18 x 14)	457 x 508 (2 - 18 x 20)	508 x 508 (1 - 20 x 20) 508 x 559 (1 - 20 x 22)	508 x 508 (1 - 20 x 20) 508 x 559 (1 - 20 x 22)	508 x 635 (1 - 20 x 25) 508 x 559 (1 - 20 x 22)	508 x 635 (1 - 20 x 25) 508 x 559 (1 - 20 x 22)
Filtre standard – 2 po (51 mm), plissé MERV13 jetable, mm (po)		457 x 737 (1 - 18 x 29)	457 x 813 (1 à 18 x 32)	457 x 813 (1 à 18 x 32)	686 x 940 (1 - 20 x 37)	508 x 508 (1 - 20 x 20) 508 x 559 (1 - 20 x 22)	508 x 508 (1 - 20 x 20) 508 x 559 (1 - 20 x 22)	508 x 635 (1 - 20 x 25) 508 x 559 (1 - 20 x 22)	508 x 635 (1 - 20 x 25) 508 x 559 (1 - 20 x 22)

## Données physiques – une vitesse

Modèle		Une vitesse										
		009	012	015	018	024	030	036	042	048	060	072
Compresseur (1 chacun)		Rotatif à vitesse fixe					Volute à une étape					
Charge d'usine R-454B, kg (oz)	Verticale	0,68 (24)	0,85 (30)	0,96 (34)	0,91 (32)	1,25 (44)	1,47 (52)	1,47 (52)	1,59 (56)	1,64 (58)	2,10 (74)	2,83 (100)
Charge d'usine R-454B, kg (oz)	Horizontale	0,68 (24)	0,85 (30)	0,96 (34)	0,91 (32)	1,25 (44)	1,47 (52)	1,64 (58)	1,76 (62)	1,93 (68)	2,10 (74)	2,95 (104)
<b>Moteur du ventilateur et ventilateur</b>												
Type/vitesses du moteur du ventilateur	VS ECM	Vitesse variable (couple constant)			Vitesse variable (pi <sup>2</sup> /mi constant)							
	ECM à 5 vitesses	Non disponible			5 vitesses							
Moteur du ventilateur – W (ch)	VS ECM	75 (1/10)	75 (1/10)	373 (1/2)	373 (1/2)	373 (1/2)	373 (1/2)	373 (1/2)	373 (1/2)	373 (1/2)	746 (1)	746 (1)
	ECM à 5 vitesses	Non disponible		373 (1/2)	373 (1/2)	373 (1/2)	373 (1/2)	373 (1/2)	746 (1)	746 (1)	746 (1)	746 (1)
Moteur de ventilateur à statique élevée – W (ch)	VS ECM	Non disponible						746 (1)	746 (1)	746 (1)	Non disponible	
Dimensions de la roue du ventilateur (diamètre x W), mm (po)	VS ECM	152 x 203 (6 x 8)	152 x 203 (6 x 8)	152 x 203 (6 x 8)	229 x 178 (9 x 7)	229 x 178 (9 x 7)	229 x 178 (9 x 7)	279 x 254 (11 x 10)	279 x 254 (11 x 10)	279 x 254 (11 x 10)	279 x 254 (11 x 10)	279 x 254 (11 x 10)
	ECM à 5 vitesses	Non disponible		229 x 178 (9 x 7)	229 x 178 (9 x 7)	229 x 178 (9 x 7)	229 x 178 (9 x 7)	279 x 254 (11 x 10)	279 x 254 (11 x 10)	279 x 254 (11 x 10)	279 x 254 (11 x 10)	279 x 254 (11 x 10)
Taille de la roue statique élevée (diamètre x W), mm (po)	VS ECM	Non disponible						279 x 254 (11 x 10)	279 x 254 (11 x 10)	279 x 254 (11 x 10)	Non disponible	
<b>Tuyauterie coaxiale et d'eau</b>												
Dimensions des raccords d'eau – FPT – mm (po)		12,7 (1/2)	12,7 (1/2)	19,05 (3/4)	19,05 (3/4)	19,05 (3/4)	19,05 (3/4)	25,4 (1)	25,4 (1)	25,4 (1)	25,4 (1)	25,4 (1)
Taille des raccords HWG – D.I. femelle de soudure mm (po) (vertical seulement)		Non disponible			12,7 (1/2)	12,7 (1/2)	12,7 (1/2)	12,7 (1/2)	12,7 (1/2)	12,7 (1/2)	12,7 (1/2)	12,7 (1/2)
Volume d'eau de la tuyauterie coaxiale et de la tuyauterie – l (gal)		0,98 (0,26)	1,12 (0,3)	1,49 (0,4)	1,49 (0,4)	1,49 (0,4)	2,83 (0,75)	3,41 (0,9)	3,41 (0,9)	4,72 (1,25)	5,68 (1,5)	5,68 (1,5)
<b>Verticale</b>												
Dimension de la bobine d'air (H x W), mm (po)		305 x 406 (12 x 16)	406 x 406 (16 x 16)	483 x 508 (19 x 20)	483 x 508 (19 x 20)	610 x 508 (24 x 20)	711 x 508 (28 x 20)	711 x 508 (28 x 20)	813 x 635 (32 x 25)	813 x 635 (32 x 25)	914 x 635 (36 x 25)	914 x 635 (36 x 25)
Surface totale de la face de la bobine d'air, m <sup>2</sup> (pi <sup>2</sup> )		0,121 (1,3)	0,167 (1,8)	0,242 (2,6)	0,242 (2,6)	0,307 (3,3)	0,362 (3,9)	0,455 (4,9)	0,570 (5,6)	0,570 (5,6)	0,585 (6,3)	0,585 (6,3)
Taille du tube de la bobine d'air, mm (po)		7,9 (5/16)	9,5 (3/8)	7,9 (5/16)	7,9 (5/16)	9,5 (3/8)	9,5 (3/8)	9,5 (3/8)	7,9 (5/16)	7,9 (5/16)	9,5 (3/8)	9,5 (3/8)
Nombre de rangées de la bobine d'air		3	3	3	3	3	3	3	4	4	4	4
Filtre standard – 25 mm (1 po), plissé MERV 4 jetable, mm (po)		406 x 508 (1 - 16 x 20)	406 x 508 (1 - 16 x 20)	610 x 610 (1 - 24 x 24)	610 x 610 (1 - 24 x 24)	712 x 610 (28 x 2)	712 x 610 (28 x 2)	712 x 762 (28 x 30)	813 x 762 (32 x 30)	813 x 762 (32 x 30)	762 x 914 (30 x 36)	762 x 914 (30 x 36)
Filtre standard – 51 mm (2 po), plissé MERV 13 jetable, mm (po)		406 x 508 (1 - 16 x 20)	406 x 508 (1 - 16 x 20)	610 x 610 (1 - 24 x 24)	610 x 610 (1 - 24 x 24)	712 x 610 (28 x 2)	712 x 610 (28 x 2)	712 x 762 (28 x 30)	813 x 762 (32 x 30)	813 x 762 (32 x 30)	762 x 914 (30 x 36)	762 x 914 (30 x 36)
<b>Horizontale</b>												
Dimension de la bobine d'air (H x W), mm (po)		305 x 406 (12 x 16)	406 x 406 (16 x 16)	457 x 533 (18 x 21)	457 x 533 (18 x 21)	457 x 686 (18 x 27)	457 x 762 (18 x 30)	508 x 889 (20 x 35)	508 x 1016 (20 x 40)	508 x 1016 (20 x 40)	508 x 1143 (20 x 45)	508 x 1143 (20 x 45)
Surface totale de la face de la bobine d'air, m <sup>2</sup> (pi <sup>2</sup> )		0,121 (1,3)	0,167 (1,8)	0,242 (2,6)	0,242 (2,6)	0,316 (3,4)	0,353 (3,8)	0,455 (4,9)	0,520 (5,6)	0,520 (5,6)	0,585 (6,3)	0,585 (6,3)
Taille du tube de la bobine d'air, mm (po)		7,9 (5/16)	9,5 (3/8)	7,9 (5/16)	7,9 (5/16)	9,5 (3/8)	9,5 (3/8)	9,5 (3/8)	9,5 (3/8)	9,5 (3/8)	9,5 (3/8)	9,5 (3/8)
Nombre de rangées de la bobine d'air		3	3	3	3	3	3	3	3	3	3	3
Filtre standard – 25 mm (1 po), plissé MERV 4 jetable, mm (po)		406 x 508 (1 - 16 x 20)	406 x 508 (1 - 16 x 20)	457 x 356 (1 - 18 x 14) 457 x 406 (1 - 18 x 16)	457 x 356 (1 - 18 x 14) 457 x 406 (1 - 18 x 16)	457 x 457 (1 - 18 x 18) 457 x 356 (1 - 18 x 14)	457 x 457 (1 - 18 x 18) 457 x 356 (1 - 18 x 14)	457 x 508 (2 - 18 x 20)	508 x 508 (1 - 20 x 20) 508 x 559 (1 - 20 x 22)	508 x 508 (1 - 20 x 20) 508 x 559 (1 - 20 x 22)	508 x 635 (1 - 20 x 25) 508 x 559 (1 - 20 x 22)	508 x 635 (1 - 20 x 25) 508 x 559 (1 - 20 x 22)
Filtre standard – 51 mm (2 po), plissé MERV 13 jetable, mm (po)		406 x 508 (1 - 16 x 20)	406 x 508 (1 - 16 x 20)	457 x 737 (1 - 18 x 29)	457 x 737 (1 - 18 x 29)	457 x 813 (1 à 18 x 32)	457 x 813 (1 à 18 x 32)	686 x 940 (1 - 20 x 37)	508 x 508 (1 - 20 x 20) 508 x 559 (1 - 20 x 22)	508 x 508 (1 - 20 x 20) 508 x 559 (1 - 20 x 22)	508 x 635 (1 - 20 x 25) 508 x 559 (1 - 20 x 22)	508 x 635 (1 - 20 x 25) 508 x 559 (1 - 20 x 22)

## Données sur le rendement du ventilateur

### Moteur ECM à 5 vitesses, série à une vitesse

Modèle	Vitesse du moteur	Robinets du moteur	Connexion du thermostat	Taille du ventilateur	Puissance du moteur (ch)	Débit d'air (pi <sup>3</sup> /min) à la pression statique externe (po CE)															
						0	0,05	0,10	0,15	0,20	0,25	0,30	0,35	0,40	0,45	0,50	0,60	0,70	0,80	0,90	1,00
015	Élevée	5		9 x 7	1/2	916	898	881	866	851	679	813	804	795	774	754	731	695	643	-	-
	Moy. élevée	4	W			809	787	765	754	743	725	707	688	669	654	639	606	536	-	-	-
	Moyenne	3				727	715	703	682	661	638	616	601	587	561	536	485	-	-	-	-
	Moy. faible	2	Y1			699	675	652	631	611	594	577	551	525	490	455	-	-	-	-	-
	Faible	1	G			656	604	552	530	508	493	479	436	394	350	-	-	-	-	-	-
018	Élevée	5		9 x 7	1/2	916	898	881	866	851	679	813	804	795	774	754	731	695	643	-	-
	Moy. élevée	4	W			809	787	765	754	743	725	707	688	669	654	639	606	536	-	-	-
	Moyenne	3				727	715	703	682	661	638	616	601	587	561	536	485	-	-	-	-
	Moy. faible	2	Y1			699	675	652	631	611	594	577	551	525	490	455	-	-	-	-	-
	Faible	1	G			656	604	552	530	508	493	479	436	394	350	-	-	-	-	-	-
024	Élevée	5	W	9 x 7	1/2	1 015	1 003	990	975	955	945	935	920	905	890	880	850	825	745	-	-
	Moy. élevée	4	Y1			935	915	895	880	875	855	840	825	815	800	785	755	720	580	-	-
	Moyenne	3				865	855	845	825	810	795	780	765	750	735	720	675	610	570	-	-
	Moy. faible	2	G			810	790	770	755	740	725	710	695	680	660	640	560	530	-	-	-
	Faible	1				695	645	595	575	550	520	495	455	420	400	-	-	-	-	-	-
030	Élevée	5		9 x 7	1/2	1 407	1 381	1 354	1 327	1 300	1 267	1 233	1 201	1 168	1 131	1 094	1 009	-	-	-	-
	Moy. élevée	4	W			1 146	1 134	1 122	1 111	1 099	1 085	1 071	1 062	1 052	1 042	1 031	966	-	-	-	-
	Moyenne	3	Y1			1 023	1 012	1 001	985	969	959	949	937	925	913	901	-	-	-	-	-
	Moy. faible	2				978	962	946	934	922	907	891	882	872	858	843	-	-	-	-	-
	Faible	1	G			795	777	759	748	737	718	698	686	673	650	626	-	-	-	-	-
036	Élevée	5	W	11 x 10	1/2	1 530	1 503	1 476	1 453	1 429	1 413	1 397	1 376	1 355	1 342	1 329	1 276	1 231	1 173	-	-
	Moy. élevée	4	Y1			1 413	1 388	1 363	1 342	1 321	1 303	1 285	1 263	1 240	1 226	1 212	1 173	1 016	946	-	-
	Moyenne	3				1 355	1 325	1 294	1 276	1 258	1 235	1 212	1 188	1 164	1 144	1 123	982	909	883	-	-
	Moy. faible	2				1 336	1 299	1 261	1 242	1 222	1 202	1 181	1 157	1 132	1 111	1 090	937	874	830	-	-
	Faible	1	G			1 243	1 182	1 121	1 061	1 000	964	928	856	784	744	703	647	592	-	-	-
042	Élevée	5		11 x 10	1	1 934	1 910	1 886	1 871	1 855	1 827	1 799	1 780	1 760	1 747	1 734	1 700	1 659	1 617	-	-
	Moy. élevée	4	W			1 799	1 783	1 767	1 744	1 720	1 693	1 666	1 649	1 631	1 617	1 603	1 560	1 530	1 492	-	-
	Moyenne	3				1 694	1 680	1 666	1 642	1 617	1 592	1 567	1 552	1 537	1 519	1 500	1 453	1 421	1 372	-	-
	Moy. faible	2	Y1			1 575	1 560	1 540	1 520	1 502	1 487	1 471	1 448	1 424	1 409	1 393	1 351	1 308	1 266	-	-
	Faible	1	G			1 454	1 406	1 358	1 333	1 308	1 285	1 261	1 239	1 217	1 198	1 179	1 072	1 002	988	-	-
048	Élevée	5		11 x 10	1	1 934	1 910	1 886	1 871	1 855	1 827	1 799	1 780	1 760	1 747	1 734	1 700	1 659	1 617	-	-
	Moy. élevée	4	W			1 799	1 783	1 767	1 744	1 720	1 693	1 666	1 649	1 631	1 617	1 603	1 560	1 530	1 492	-	-
	Moyenne	3				1 694	1 680	1 666	1 642	1 617	1 592	1 567	1 552	1 537	1 519	1 500	1 453	1 421	1 372	-	-
	Moy. faible	2				1 575	1 560	1 540	1 520	1 502	1 487	1 471	1 448	1 424	1 409	1 393	1 351	1 308	1 266	-	-
	Faible	1	G			1 454	1 406	1 358	1 333	1 308	1 285	1 261	1 239	1 217	1 198	1 179	1 072	1 002	988	-	-
060	Élevée	5	W	11 x 10	1	2 230	2 212	2 193	2 173	2 152	2 139	2 125	2 109	2 092	2 076	2 059	2 026	1 992	1 951	1 892	1 806
	Moy. élevée	4	Y1			2 081	2 065	2 048	2 032	2 015	1 998	1 980	1 963	1 946	1 928	1 910	1 880	1 849	1 806	1 767	1 728
	Moyenne	3				1 951	1 931	1 910	1 889	1 868	1 850	1 831	1 812	1 793	1 774	1 755	1 722	1 688	1 654	1 612	1 562
	Moy. faible	2				1 812	1 790	1 767	1 748	1 728	1 708	1 688	1 671	1 654	1 640	1 626	1 584	1 547	1 510	1 472	1 417
	Faible	1	G			1 668	1 651	1 633	1 612	1 591	1 566	1 540	1 525	1 510	1 491	1 472	1 433	1 400	1 351	1 299	1 208
072	Élevée	5	W	11 x 10	1	2 472	2 454	2 435	2 414	2 393	2 371	2 349	2 328	2 306	2 289	2 271	2 236	2 189	2 121	2 033	1 936
	Moy. élevée	4	Y1			2 271	2 248	2 225	2 205	2 184	2 166	2 147	2 129	2 110	2 094	2 078	2 039	2 011	1 977	1 930	1 846
	Moyenne	3				2 133	2 115	2 096	2 072	2 047	2 030	2 013	1 996	1 979	1 965	1 950	1 909	1 873	1 837	1 793	1 748
	Moy. faible	2				2 008	1 985	1 962	1 939	1 915	1 898	1 880	1 862	1 843	1 828	1 812	1 774	1 742	1 703	1 669	1 635
	Faible	1	G			1 806	1 784	1 761	1 742	1 722	1 696	1 669	1 656	1 642	1 625	1 607	1 564	1 527	1 490	1 443	1 404

Les réglages d'usine sont en gras.

07/05/2024

Les valeurs de débit d'air sont avec une bobine sèche et un filtre standard de 25,4 mm (1 po).

## Moteurs à ECM à 5 vitesses à couple constant

L'ECM à 5 vitesses est un moteur à ECM à couple constant qui fournit un débit d'air semblable à celui d'un PSC, mais qui fonctionne aussi efficacement qu'un moteur à ECM à vitesse variable. Comme il s'agit d'un moteur à ECM, l'ECM à 5 vitesses peut accélérer ou ralentir lentement comme le moteur à ECM à vitesse variable. Le moteur à ECM à 5 vitesses offre 5 robinets de vitesse, le débit d'air n° 1 étant le plus faible et le débit d'air n° 5 le plus élevé. Ces sélections de vitesse sont pré-réglées au moment de la fabrication et peuvent facilement être modifiées sur le terrain si nécessaire.

Si plusieurs robinets sont mis sous tension en même temps, la logique intégrée donne préséance au robinet le plus élevé et permet au débit d'air de changer avec les signaux G, Y1, Y2 et W. Chacune de ces 5 vitesses a une valeur de couple spécifique programmée dans le moteur pour chaque sélection de vitesse. À mesure que la pression statique augmente,

le débit d'air diminue, ce qui réduit le couple sur le moteur. Le moteur ne réagit qu'aux changements de couple et règle sa vitesse en conséquence.

Le moteur à ECM à 5 vitesses est alimenté par une tension de ligne, mais la vitesse du moteur est alimentée par une tension de 24 V c.a.

### Avantages de l'ECM à 5 vitesses :

- Haute efficacité
- Démarrage en douceur
- 5 vitesses avec jusqu'à 4 vitesses en ligne
- Logique intégrée permettant au débit d'air de changer avec les signaux G, Y1, Y2 et W
- Réglage de ventilateur continu à faible débit d'air très efficace (G)

## Données sur le rendement du ventilateur

### Capacité double

Modèle	Vitesse du moteur	Robinet du moteur	Connexion du thermostat	Taille du ventilateur	Puissance du moteur (ch)	Débit d'air (pi³/min) à la pression statique externe (po CE)																	
						0	0,05	0,10	0,15	0,20	0,25	0,30	0,35	0,40	0,45	0,50	0,60	0,70	0,80	0,90	1,00		
018	Élevée	5		9 x 7	1/2	916	898	881	866	851	679	813	804	795	774	754	731	695	643	-	-		
	<b>Moy. élevée</b>	<b>4</b>	W			809	787	765	754	743	725	707	688	669	654	639	606	536	-	-	-	-	
	Moyenne	3				727	715	703	682	661	638	616	601	587	561	536	485	-	-	-	-	-	
	<b>Moy. faible</b>	<b>2</b>	Y1			699	675	652	631	611	594	577	551	525	490	455	-	-	-	-	-	-	
	<b>Faible</b>	<b>1</b>	G			656	604	552	530	508	493	479	436	394	350	-	-	-	-	-	-	-	-
024	Élevée	5	W	9 x 7	1/2	1015	1003	990	975	955	945	935	920	905	890	880	850	825	745	-	-		
	<b>Moy. élevée</b>	<b>4</b>	Y1			935	915	895	880	875	855	840	825	815	800	785	755	720	580	-	-	-	
	Moyenne	3				865	855	845	825	810	795	780	765	750	735	720	675	610	570	-	-	-	
	<b>Moy. faible</b>	<b>2</b>	G			810	790	770	755	740	725	710	695	680	660	640	560	530	-	-	-	-	-
	<b>Faible</b>	<b>1</b>				695	645	595	575	550	520	495	455	420	400	-	-	-	-	-	-	-	-
030	Élevée	5		9 x 7	1/2	1407	1381	1354	1327	1300	1267	1233	1201	1168	1131	1094	1009	-	-	-	-		
	<b>Moy. élevée</b>	<b>4</b>	W			1146	1134	1122	1111	1099	1085	1071	1062	1052	1042	1031	966	-	-	-	-	-	
	<b>Moyenne</b>	<b>3</b>	Y1			1023	1012	1001	985	969	959	949	937	925	913	901	-	-	-	-	-	-	
	Moy. faible	2				978	962	946	934	922	907	891	882	872	858	843	-	-	-	-	-	-	
	<b>Faible</b>	<b>1</b>	G			795	777	759	748	737	718	698	686	673	650	626	-	-	-	-	-	-	-
036	Élevée	5	W	11 x 10	1/2	1530	1503	1476	1453	1429	1413	1397	1376	1355	1342	1329	1276	1231	1173	-	-		
	<b>Moy. élevée</b>	<b>4</b>	Y1			1413	1388	1363	1342	1321	1303	1285	1263	1240	1226	1212	1173	1016	946	-	-	-	
	Moyenne	3				1355	1325	1294	1276	1258	1235	1212	1188	1164	1144	1123	982	909	883	-	-	-	
	Moy. faible	2				1336	1299	1261	1242	1222	1202	1181	1157	1132	1111	1090	937	874	830	-	-	-	
	<b>Faible</b>	<b>1</b>	G			1243	1182	1121	1061	1000	964	928	856	784	744	703	647	592	-	-	-	-	-
042	Élevée	5		11 x 10	1	1934	1910	1886	1871	1855	1827	1799	1780	1760	1747	1734	1700	1659	1617	-	-		
	<b>Moy. élevée</b>	<b>4</b>	W			1799	1783	1767	1744	1720	1693	1666	1649	1631	1617	1603	1560	1530	1492	-	-	-	
	Moyenne	3				1694	1680	1666	1642	1617	1592	1567	1552	1537	1519	1500	1453	1421	1372	-	-	-	
	<b>Moy. faible</b>	<b>2</b>	Y1			1575	1560	1540	1520	1502	1487	1471	1448	1424	1409	1393	1351	1308	1266	-	-	-	
	<b>Faible</b>	<b>1</b>	G			1454	1406	1358	1333	1308	1285	1261	1239	1217	1198	1179	1072	1002	988	-	-	-	-
048	Élevée	5		11 x 10	1	1934	1910	1886	1871	1855	1827	1799	1780	1760	1747	1734	1700	1659	1617	-	-		
	<b>Moy. élevée</b>	<b>4</b>	W			1799	1783	1767	1744	1720	1693	1666	1649	1631	1617	1603	1560	1530	1492	-	-	-	
	Moyenne	3	Y1			1694	1680	1666	1642	1617	1592	1567	1552	1537	1519	1500	1453	1421	1372	-	-	-	
	Moy. faible	2				1575	1560	1540	1520	1502	1487	1471	1448	1424	1409	1393	1351	1308	1266	-	-	-	
	<b>Faible</b>	<b>1</b>	G			1454	1406	1358	1333	1308	1285	1261	1239	1217	1198	1179	1072	1002	988	-	-	-	-
060	Élevée	5	W	11 x 10	1	2230	2212	2193	2173	2152	2139	2125	2109	2092	2076	2059	2026	1992	1951	1892	1806		
	<b>Moy. élevée</b>	<b>4</b>	Y1			2081	2065	2048	2032	2015	1998	1980	1963	1946	1928	1910	1880	1849	1806	1767	1728		
	Moyenne	3				1951	1931	1910	1889	1868	1850	1831	1812	1793	1774	1755	1722	1688	1654	1612	1562		
	Moy. faible	2				1812	1790	1767	1748	1728	1708	1688	1671	1654	1640	1626	1584	1547	1510	1472	1417		
	<b>Faible</b>	<b>1</b>	G			1668	1651	1633	1612	1591	1566	1540	1525	1510	1491	1472	1433	1400	1351	1299	1208		
072	Élevée	5	W	11 x 10	1	2472	2454	2435	2414	2393	2371	2349	2328	2306	2289	2271	2236	2189	2121	2033	1936		
	<b>Moy. élevée</b>	<b>4</b>	Y1			2271	2248	2225	2205	2184	2166	2147	2129	2110	2094	2078	2039	2011	1977	1930	1846		
	Moyenne	3				2133	2115	2096	2072	2047	2030	2013	1996	1979	1965	1950	1909	1873	1837	1793	1748		
	Moy. faible	2				2008	1985	1962	1939	1915	1898	1880	1862	1843	1828	1812	1774	1742	1703	1669	1635		
	<b>Faible</b>	<b>1</b>	G			1806	1784	1761	1742	1722	1696	1669	1656	1642	1625	1607	1564	1527	1490	1443	1404		

Les réglages d'usine des vitesses sont en gras.

Les valeurs de débit d'air sont avec une bobine sèche et un filtre standard.

Pour le rendement d'une bobine humide, calculez d'abord la vitesse de face de la bobine d'air (vitesse de face [pi³/min] = débit d'air [pi³/min] / surface de face [pi²]). Ainsi, pour une vitesse de 200 pi/min, réduisez la capacité statique de 0,03 po CE, pour 300 pi/min, réduisez de 0,08 po CE, pour 400 pi/min, réduisez de 0,12 po CE, et pour 500 pi/min, réduisez de 0,16 po CE.

07/05/2024

Le réglage le plus élevé est pour la chaleur auxiliaire (W) et le réglage le plus bas est pour le ventilateur constant (G). Les réglages « Y1 » et « Y2 » doivent se situer entre les réglages « G » et « W ».

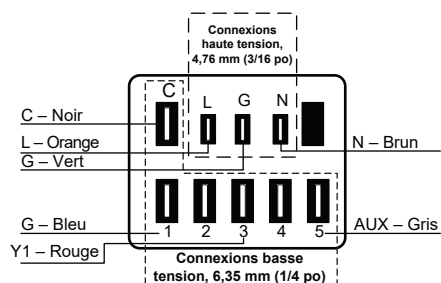
### Réglage de la vitesse du ventilateur - ECM à 5 vitesses

Les moteurs de ventilateur à ECM à 5 vitesses disposent de cinq (5) vitesses, dont trois (3) peuvent être sélectionnés avec une vitesse et quatre (4) peuvent être sélectionnées avec une capacité double.

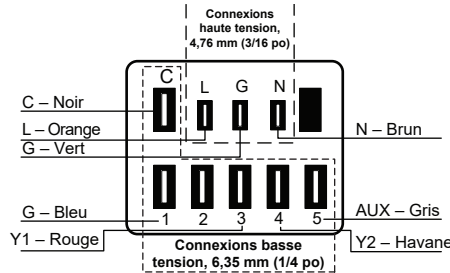


**ATTENTION : Coupez toute l'alimentation avant d'effectuer cette opération.**

Connexions du moteur à ECM à 5 vitesses - une vitesse



Connexions du moteur à ECM à 5 vitesses - capacité double



## Données sur le rendement du ventilateur

### VS ECM, à une vitesse

Modèle	Max. ESP	Taille du ventilateur	Puissance du moteur (ch)	Réglages de l'interrupteur DIP du débit d'air											
				1	2	3	4	5	6	7	8	9	10	11	12
015	0,50	9 x 7	1/2	300	400 L	500	600 M	700 H							
018	0,50	9 x 7	1/2	300	400 L	500	600 M	700 H	800						
024	0,50	9 x 7	1/2		400	500 L	600 M	700 H	800 H	900	1000	1100	1200		
030	0,50	9 x 7	1/2		400	500 L	600	700 M	800	900 H	1000	1100	1200		
036	0,50	11 x 10	1/2	650	750	850 L	1000	1100 M	1200	1300 H	1400	1500			
036 avec 1 ch*	0,75	11 x 10	1	800	1000 L	1100 M	1300 H	1500	1600	1800					
042	0,50	11 x 10	1/2	650	800	900 L	1050	1150 M	1250	1350	1450 H	1550			
042 avec 1 ch*	0,75	11 x 10	1	800	900 L	1000	1200 M	1400 H	1600	1700	1850	2000	2200	2300	2400
048	0,50	11 x 10	1/2	650	800	900	1050 L	1150	1250	1350 M	1450	1550 H			
048 avec 1 ch*	0,75	11 x 10	1	800	900	1000 L	1200	1400 M	1600 H	1700	1850	2000	2200	2300	2400
060	0,75	11 x 10	1	800	950	1100 L	1300	1500 M	1750	1950	2100	2300			
072	0,75	11 x 10	1	800	950	1100 L	1300	1500	1750 M	1950	2100 H	2300			

25/01/24

### VS ECM, à double capacité

Modèle	PRESSION STATIQUE (ESP) max	RÉGLAGES DU DÉBIT D'AIR													
		1	2	3	4	5	6	7	8	9	10	11	12		
018	0,50	300	400 G	500	600 L	700 H	800	875	950	1025	1125 Aux				
024	0,50		400	500 G	600	700 L	800	900 H	1000	1100	1200 Aux				
030	0,50		400	500 G	600	700 L	800	900 H	1000	1100	1200 Aux				
036	0,50	650	750 G	850	1000	1100 L	1200	1300 H	1400	1500	1550 Aux				
042	0,50	650	800	900 G	1050	1150 L	1250	1350	1450 H	1550	1600 Aux				
048	0,50	650	800 G	900	1050	1150	1250	1350 L	1450	1550 H	1575 Aux				
060	0,75	800	950 G	1100	1300	1500 L	1750	1950 H	2100	2300	2325 Aux				
072	0,75	800	950	1100 G	1300	1500	1750 L	1950	2100 H	2300	2325 Aux				

25/01/24

Les réglages d'usine sont conformes aux réglages de vitesse recommandés par le G-L-H-Aux.

Les réglages L-H DOIVENT être situés dans la plage de PCM en caractères gras.

Le réglage « Aux » correspond au réglage en usine pour la chaleur auxiliaire et doit être égal ou supérieur au réglage « H », ainsi qu'au moins le réglage minimal requis pour le boîtier de chauffage auxiliaire.

Le « G » peut se trouver n'importe où dans le tableau de débit d'air.

Le PCM est contrôlé à  $\pm 5\%$  jusqu'à la pression statique maximale.

La pression statique (ESP) maximale comprend une tolérance pour serpentin humide et un filtre standard.

Les réglages en usine sont aux emplacements recommandés pour les interrupteurs DIP L-M-H.

Les réglages M-H DOIVENT être situés dans la plage de PCM en caractères gras.

Le PCM est contrôlé à  $\pm 5\%$  jusqu'à la pression statique maximale.

La pression statique (ESP) maximale comprend une tolérance pour serpentin humide et un filtre MERV 4 de 25,4 mm (1 po).

Les réglages des interrupteurs DIP les plus bas et les plus élevés sont présumés être L et H respectivement.

## Données sur le rendement du ventilateur

### ECM à vitesse variable et couple constant, modèles 009-012

Vitesse du ventilateur	Tr/min du ventilateur	Débit d'air [pi <sup>3</sup> /min] à la pression statique externe [po CE]								
		0,0	0,1	0,2	0,3	0,4	0,5	0,6	0,7	0,8
1	0									
2	514	190								
3	630	245	50							
4	800	330	230							
5	950	405	320	175						
6	1 100	485	420	335	180					
7	1 200	540	485	405	320					
8	1 300	560	535	490	415	305				
9	1 400	560	535	510	475	445	340			
10	1 500	560	535	510	475	450	425	390	270	
11	1 600	560	535	510	475	450	425	390	365	
12	1 700	560	535	510	475	450	425	390	365	320

07/11/2023

Les valeurs de débit d'air sont avec une bobine sèche et un filtre standard de 25,4 mm (1 po).

### Réglage de la vitesse du ventilateur – ECM à vitesse variable

La DEL jaune du tableau de configuration ABC clignotera les sélections actuelles de vitesse du ventilateur ECM à vitesse variable pour basse, moyenne et haute en continu avec une courte pause entre les deux. Les vitesses peuvent également être confirmées à l'aide de l'outil AIDE dans l'écran Paramètres/ Paramètres ECM. Les vitesses du moteur de ventilateur ECM à vitesse variable peuvent être réglées sur place avec ou sans l'aide d'un outil AIDE.

### Configuration du module de commande du moteur à vitesse variable sans outil AIDE

Les vitesses du ventilateur faible (G seulement), moyenne (Y1) et élevée (Y2/auxiliaire) peuvent être réglées directement sur le panneau Aurora ABC qui utilise le bouton (SW1) sur le panneau ABC. Cette procédure est décrite dans la partie Mode de configuration du module de commande du moteur à vitesse variable de la section Système de commande de base d'Aurora.

### Configuration du module de commande de moteur à vitesse variable avec un outil AIDE

Une méthode beaucoup plus simple utilise l'outil AIDE pour modifier le débit d'air en suivant la procédure ci-dessous. Accédez d'abord à l'écran Paramètre, puis sélectionnez Paramètres ECM. Cet écran affiche les réglages ECM à vitesse variable actuels. Cela permet au technicien d'accéder aux écrans de configuration pour modifier les paramètres du moteur ECM à vitesse variable. Modifiez l'élément mis en surbrillance à l'aide des boutons ◀ et ▶, puis appuyez sur le bouton ■ pour sélectionner l'élément.

### Configuration du module de commande de moteur à vitesse variable avec un outil AIDE (suite)

INFORMATION SUR LA VITESSE DU MOTEUR ECM

BASSE VITESSE : 3  
VITESSE MOYENNE : 5  
HAUTE VITESSE : 7

VOUS VOULEZ CHANGER?

OUI NON  
OPTION ◀▶ ENTRÉE ■

Si vous sélectionnez OUI, la configuration de la vitesse du moteur ECM à vitesse variable s'ouvrira, tandis que si vous sélectionnez NON, vous reviendrez à l'écran précédent.

Réglage de la vitesse du moteur ECM à vitesse variable – Ces écrans permettent au technicien de sélectionner la vitesse basse, moyenne et élevée du ventilateur pour le moteur de ventilateur ECM à vitesse variable. Changez l'élément mis en surbrillance en utilisant les boutons ▲ et ▼. Appuyez sur le bouton ■ pour sélectionner la vitesse.

INFORMATION SUR LA VITESSE DU MOTEUR ECM	INFORMATION SUR LA VITESSE DU MOTEUR ECM	INFORMATION SUR LA VITESSE DU MOTEUR ECM
1	1	1
2 ◀- FAIBLE	2 FAIBLE	2 FAIBLE
3	3	3
4	4	4
5	◀- MOYENNE	MOYENNE
6	6	6
7	7	7
8	8	8
9	9	9
10	10	10
11	11	11
12	12	◀- ÉLEVÉE
OPTION ◀▶ ENTRÉE ■	OPTION ◀▶ ENTRÉE ■	OPTION ◀▶ ENTRÉE ■

Une fois le réglage de la vitesse élevée sélectionné, l'outil AIDE retourne automatiquement à l'écran de configuration du moteur ECM.

## Démarrage de l'unité

### Avant d'alimenter l'appareil, vérifiez ce qui suit :

- L'alimentation électrique correspond aux spécifications de la plaque d'identification.
- Les fusibles, les disjoncteurs et les fils de l'alimentation électrique sont dimensionnés correctement.
- Réglez le transformateur à 208 V, le cas échéant.
- Le câblage basse tension est terminé.
- La tuyauterie est terminée et le système d'eau est nettoyé et rincé.
- L'air est purgé du système en boucle fermée.
- Les valves d'isolation sont ouvertes et les valves de régulation d'eau ou les pompes du circuit sont câblées.
- La ligne de condensat est ouverte et inclinée correctement.
- Les interrupteurs DIP sont réglés correctement.
- La roue du ventilateur tourne librement et dans la bonne direction.
- Le filtre/purificateur d'air est propre et en place.
- Les panneaux d'accès et d'entretien sont en place.
- La température du retour d'air se situe entre 10 et 27 °C (50 et 80 °F) pour le chauffage et 15,6 et 35 °C (60 et 95 °F) pour le refroidissement.
- Évaluez la propreté de la bobine d'air pour assurer un rendement optimal. Nettoyez au besoin selon les directives d'entretien.

### Étapes de démarrage

**REMARQUE :** Remplissez la feuille de contrôle de démarrage/mise en service de l'équipement pendant cette procédure.

Consultez les instructions d'utilisation du thermostat et terminer la procédure de démarrage.

1. Déclenchez un signal de commande pour mettre le moteur du ventilateur sous tension. Vérifiez le fonctionnement du ventilateur.
2. Assurez-vous que la valve de régulation de l'eau ou les pompes de la boucle sont activés.
3. Déclenchez un signal de commande pour placer l'appareil en mode de refroidissement. Le point de référence du refroidissement doit être réglé sous la température ambiante.
4. Le refroidissement s'active après un délai. Vérifiez si la rotation du compresseur à volutes est correcte dans les applications à trois phases. Une mauvaise rotation entraînera de faibles pressions du réfrigérant et possiblement un bruit inhabituel. Inversez deux des fils d'alimentation au compresseur ou au contacteur pour inverser la rotation.
5. Vérifiez que le débit d'eau est correct en mesurant la chute de pression dans l'échangeur thermique à l'aide des bouchons P/T et en la comparant au tableau des chutes de pression.
6. Vérifiez la température de l'eau d'alimentation et de refoulement (reportez-vous aux tableaux des paramètres de fonctionnement).
7. Vérifiez si la température de l'air chute de -9,4 et -3,9 °C (15 et 25 °F) dans la bobine d'air, selon la vitesse du ventilateur et la température de l'entrée d'eau.
8. Diminuez le point de référence de refroidissement de plusieurs degrés et vérifiez le fonctionnement à vitesse variable du ventilateur.
9. Réglez le point de référence de refroidissement au-dessus de la température ambiante et vérifiez que le compresseur et la valve d'eau ou les pompes de la boucle est désactivée.
10. Déclenchez un signal de commande pour placer l'appareil en mode de chauffage. Le point de référence de chauffage doit être réglé au-dessus de la température ambiante.
11. Le chauffage s'active après un délai.
12. Vérifiez la température de l'eau d'alimentation et de refoulement (reportez-vous aux tableaux des paramètres de fonctionnement de l'unité).
13. Vérifiez si la température de l'air augmente de -6,7 et -1,7 °C (20 et 35 °F) dans la bobine d'air, selon la vitesse du ventilateur et la température de l'entrée d'eau.
14. Si des chaufferettes électriques auxiliaires sont installées, augmentez le point de consigne de chauffage jusqu'à ce que les banques de chaleur électriques soient mises en séquence. Toutes les étapes de la chaufferette auxiliaire doivent être mises en séquence lorsque le thermostat est en mode de chauffage d'urgence. Vérifiez l'ampérage de chaque élément.
15. Réglez le point de consigne de chauffage sous la température ambiante et vérifiez que le compresseur et la valve d'eau ou les pompes de la boucle sont désactivées.
16. Pendant les essais, vérifiez s'il y a des vibrations, des bruits ou des fuites d'eau excessives. Corrigez ou réparez au besoin.
17. Réglez le système au mode de fonctionnement normal désiré et réglez la température pour maintenir le niveau de confort désiré.
18. Informez le propriétaire/opérateur du bon fonctionnement du thermostat et de l'entretien du système.

**REMARQUE :** Assurez-vous de remplir et de transmettre tous les documents d'enregistrement de garantie.

## Retrait et évacuation du réfrigérant

Lorsque vous ouvrez le circuit frigorifique pour effectuer des réparations, ou pour toute autre fin, vous devez suivre les procédures conventionnelles. Cependant, pour les réfrigérants inflammables, vous devez suivre les meilleures pratiques parce que l'inflammabilité doit être prise en considération. La procédure suivante doit être respectée :

- retirez le réfrigérant en toute sécurité conformément aux réglementations locales et nationales;
- évacuez;
- purgez le circuit avec un gaz inerte (facultatif pour A2L);
- évacuez (facultatif pour A2L) ;
- rincez ou purgez continuellement avec un gaz inerte lors de l'utilisation d'une flamme pour ouvrir le circuit;
- ouvrez le circuit.

La charge de réfrigérant doit être récupérée dans les bouteilles de récupération appropriées si la ventilation n'est pas autorisée par les codes locaux et nationaux. Pour les appareils contenant des réfrigérants inflammables, le système doit être purgé avec de l'azote exempt d'oxygène afin de rendre l'appareil sûr pour les réfrigérants inflammables.

Ce processus devra peut-être être répété plusieurs fois. L'air comprimé et l'oxygène ne doivent pas être utilisés pour purger les systèmes frigorifiques. Pour les appareils contenant des réfrigérants inflammables, la purge des réfrigérants doit être réalisée en rompant le vide dans le système avec de l'azote exempt d'oxygène et en continuant à le remplir jusqu'à ce que la pression de service soit atteinte, puis en dépressurant jusqu'à la pression atmosphérique, et enfin en créant un vide (facultatif pour A2L). Ce processus doit être répété jusqu'à ce qu'il n'y ait plus de réfrigérant dans le système (facultatif pour A2L). Lorsque la charge finale d'azote exempt d'oxygène est utilisée, le système doit être dépressurisé jusqu'à la pression atmosphérique pour permettre le travail. L'orifice de sortie de la pompe à vide ne doit pas se trouver à proximité de sources potentielles d'inflammation et une ventilation doit être disponible.

## Procédures de chargement

En plus des procédures de chargement conventionnelles, les exigences suivantes doivent être respectées :

- Assurez-vous que les différents réfrigérants ne sont pas contaminés lors de l'utilisation de l'équipement de chargement.
- Les flexibles ou conduites doivent être aussi courts que possible pour réduire au minimum la quantité de réfrigérant qu'ils contiennent.
- Les bouteilles doivent être maintenues dans une position appropriée conformément aux instructions.
- Assurez-vous que le SYSTÈME FRIGORIFIQUE est mis à la terre avant de charger le système de réfrigérant.
- Étiquetez le système lorsque le chargement est terminé (si ce n'est pas déjà fait).
- Il convient de veiller très attentivement à ne pas trop remplir le SYSTÈME FRIGORIFIQUE.

Avant de recharger le système, il doit être soumis à un essai de pression avec le gaz de purge approprié. Le système doit être soumis à un essai d'étanchéité à la fin du chargement avant la mise en service. Un essai d'étanchéité de suivi doit être effectué avant de quitter le site.



## Récupération du réfrigérant

Lors du retrait du réfrigérant d'un système, que ce soit pour l'entretien ou la mise hors service, il est recommandé de retirer tous les réfrigérants en toute sécurité.

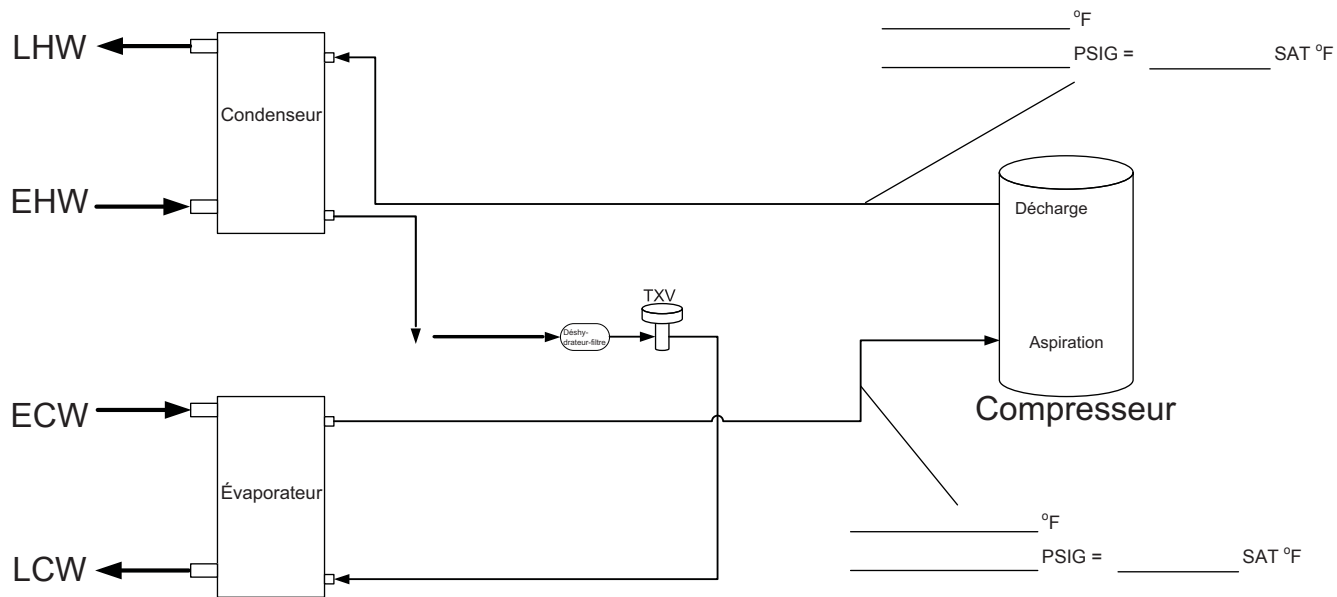
Lors du transfert du réfrigérant dans des bouteilles, assurez-vous que seules des bouteilles appropriées de récupération de réfrigérant sont utilisées. Assurez-vous que le bon nombre de bouteilles pour contenir la charge totale du circuit est disponible. Toutes les bouteilles qui seront utilisées doivent être réservées au réfrigérant récupéré et étiquetées pour ce réfrigérant (c.-à-d. des bouteilles spéciales pour la récupération du réfrigérant). Les bouteilles doivent être équipées d'une soupape de surpression et de valves d'arrêt en bon état de fonctionnement. Les bouteilles de récupération vides sont évacuées et, si possible, refroidies avant la récupération.

Le matériel de récupération doit être en bon état de fonctionnement et inclure des instructions concernant le matériel disponible et doit convenir à la récupération du réfrigérant inflammable. En cas de doute, consultez le fabricant. De plus, un jeu de balances étalonnées doit être disponible et en bon état de fonctionnement. Les flexibles doivent être équipés de raccords rapides étanches et en bon état.

Le réfrigérant récupéré doit être traité conformément à la réglementation locale dans la bouteille de récupération appropriée, et le bordereau de transfert des déchets correspondant doit être rempli. Ne mélangez pas les réfrigérants dans les unités de récupération et surtout pas dans les bouteilles.

Si des compresseurs ou des huiles de compresseur doivent être retirés, assurez-vous qu'ils ont été purgés à un niveau acceptable pour s'assurer qu'il ne reste pas de réfrigérant inflammable dans le lubrifiant. Le corps du compresseur ne doit pas être chauffé par une flamme nue ou par d'autres sources d'inflammation pour accélérer ce processus. Lorsque l'huile d'un système est vidangée, la procédure doit être réalisée en toute sécurité.

## Analyse du cycle de réfrigération



Ampérage de l'unité \_\_\_\_\_  
 Tension composée \_\_\_\_\_  
 Sous-refroidissement \_\_\_\_\_  
 Surchauffe \_\_\_\_\_

**Remarque :** Ne fixez pas les jauges de réfrigérant, sauf si un problème est suspecté!

Entrée eau chaude	_____ °F
Pression de l'eau à l'entrée	_____ PSIG
Sortie eau chaude	_____ °F
Sortie pression à chaud	_____ PSIG
Entrée eau réfrigérée	_____ °F
Pression de l'eau à l'entrée	_____ PSIG
Sortie eau réfrigérée	_____ °F
Sortie pression à chaud	_____ PSIG

## Guide de révision

Pages	Description	Date	Par
Toutes	Création de document	01 octobre 2024	SW

# GEOSMART ENERGY



1-975 Bleams Road, Kitchener, ON N2E 3Z5, Canada | o: 1.866.310.6690 | f: 1.866.533.3889

[GEOSMARTENERGY.COM](http://GEOSMARTENERGY.COM)

Product: **Premium G Compact Series**  
Type: Premium Forced Air Geothermal Comfort System

Size: .75-6 Ton Single Stage  
2-6 Ton Two-Stage

Document Type: Installation Guide  
Ref. Number: IGV5-0006S  
Revision Date: 10/24  
Revision Number:  
Document Name:

